



T&S BRASS AND BRONZE WORKS, INC.
 2 SADDLEBACK COVE / P.O. BOX 1088 / TRAVELERS REST, SC 29690
 PHONE 800-476-4103 - FAX 864- 834-3518



Sales No.

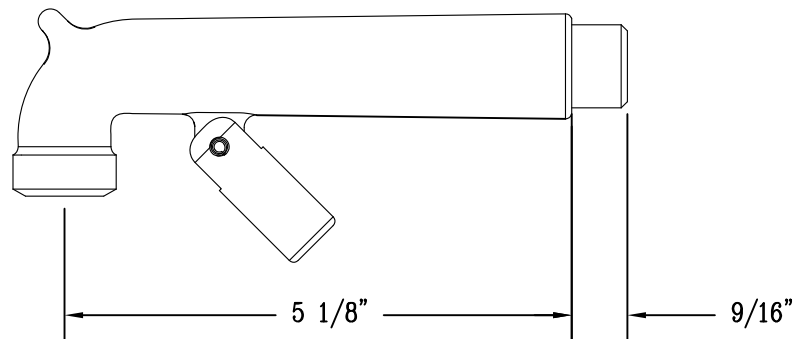
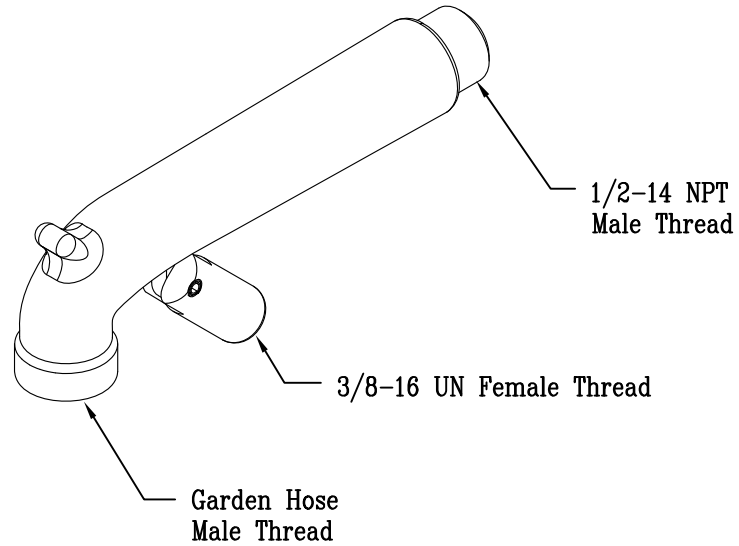
016450-40

**RELIABILITY
BUILT IN**

Job Name:

Architect/Engineer Approval:

Notes:



Finish: Polished Chrome Plated

Product Description:

Drawn:

Checked

Scale:

DHL

KJG

1:2

Nozzle w/ Lower Support Clevis

Approved

Date:

JHB

02/10/09