

**Architect/Engineering Specification:**

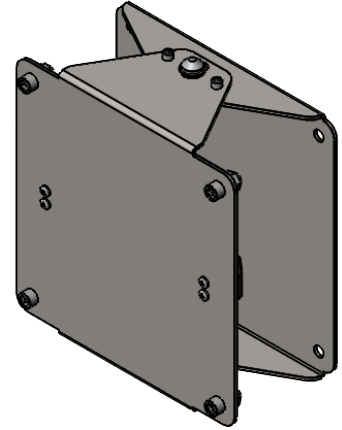
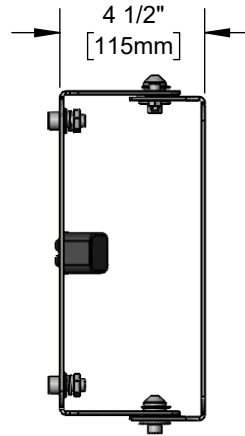
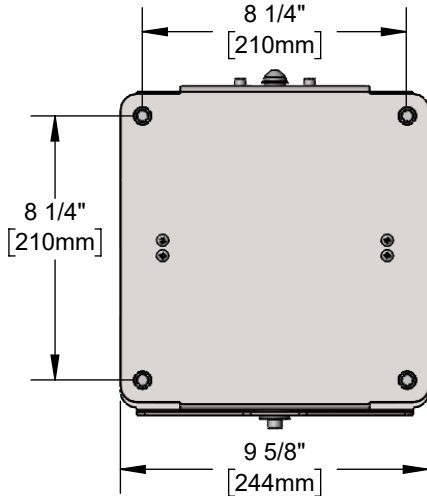
Stainless steel wall mount swing bracket, 100 degree rotation, designed for one person installation, fits equip stainless steel 1/2" reels. Includes safety c-clips for securing hose reel immediately after mounting and reel-to-bracket mounting hardware.

Job Name \_\_\_\_\_

Model Specified \_\_\_\_\_ Quantity \_\_\_\_\_

Variations Specified \_\_\_\_\_

Date \_\_\_\_\_

**Features & Benefits:**

- Stainless steel wall mount swing bracket
- 100° rotation
- Designed for one person installation
- Fits equip stainless steel 1/2" hose reels
- Includes safety c-clips to secure hose reel after installation
- Positive stops built in to bracket to keep hose reel from hitting or damaging wall
- Includes reel-to-bracket mounting hardware
- Material: Stainless steel swing bracket

**Product Compliance:**

- N/A

**Warranty:** One Year (Limited)**Performance Data:**

- N/A

