



# equip Foodservice Accessories

2 Saddleback Cove / P.O. Box 1088  
Travelers Rest, SC 29690

Travelers Rest, SC: 800-891-4808 • Fax: 800-868-0084 • www.tsbrass.com

Model No.

**021131-45**

Item No.

This Space for Architect/Engineer Approval

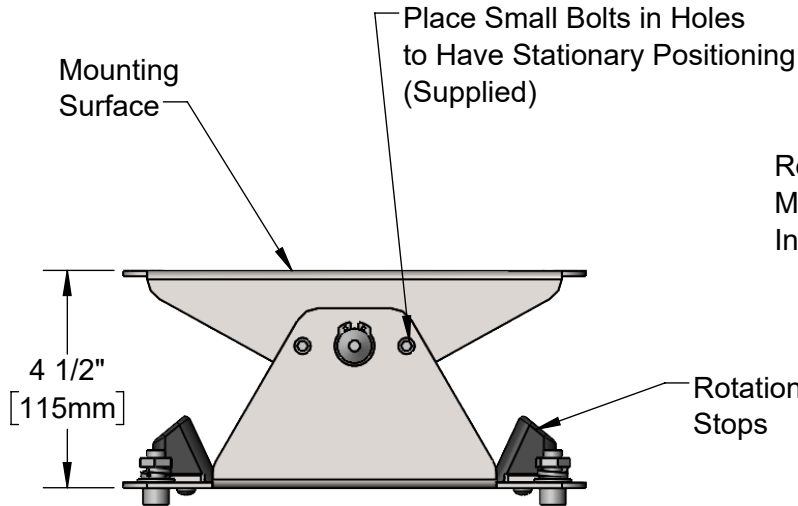
Job Name \_\_\_\_\_ Date \_\_\_\_\_

Model Specified \_\_\_\_\_ Quantity \_\_\_\_\_

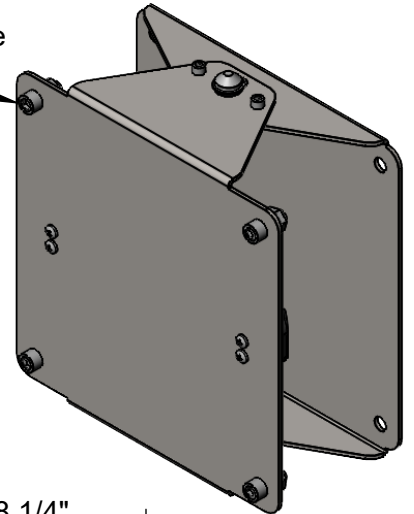
Customer/Wholesaler \_\_\_\_\_

Contractor \_\_\_\_\_

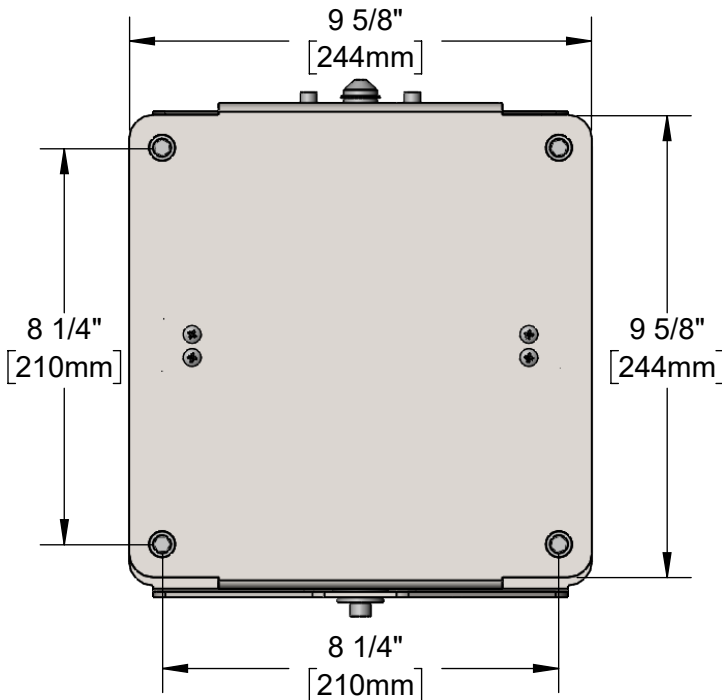
Architect/Engineer \_\_\_\_\_



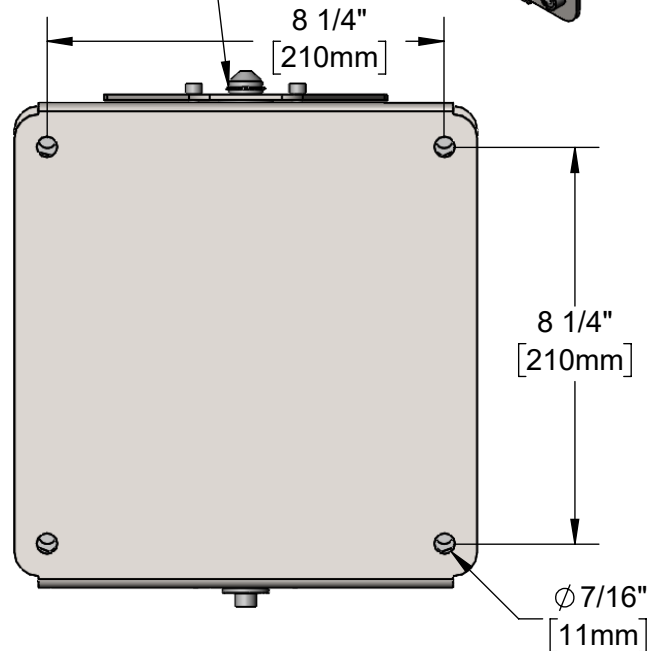
Reel-to-Bracket Mounting Hardware Included



Both Upper & Lower C-Clips Must Be Installed Immediately after Hose Reel Installation



Hose Reel Mount View



Wall Mount View

**Product Specifications:**

equip Stainless Steel Hose Reel Bracket, Fits 5HR-351 & 5HR-361 1/2" Reels, 100 Degrees Rotation, One Person Installation. Includes Safety C-Clips for Securing the Hose Reel Mount to Base & Reel-to-Bracket Mounting Hardware

**Product Compliance:**

N/A