



T&S BRASS AND BRONZE WORKS, INC.
 2 Saddleback Cove / P.O. Box 1088
 Travelers Rest, SC 29690

Model No.
ECW-3152-LS-MB

Item No.

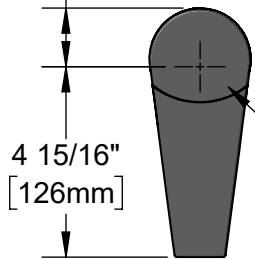
Travelers Rest, SC: 800-476-4103 • Simi Valley, CA: 800-423-0150 • Fax: 864-834-3518 • www.tsbrass.com

WAVECREST
BY T&S



ADA Compliant

1 1/2"
 [39mm]



Rotating Locking Lid
 Covers Top Fill Funnel.
 For Use w/ Liquid Hand
 Soaps w/ Viscosity From
 100 to 19,000 cP.

This Space for Architect/Engineer Approval

Job Name _____ Date _____

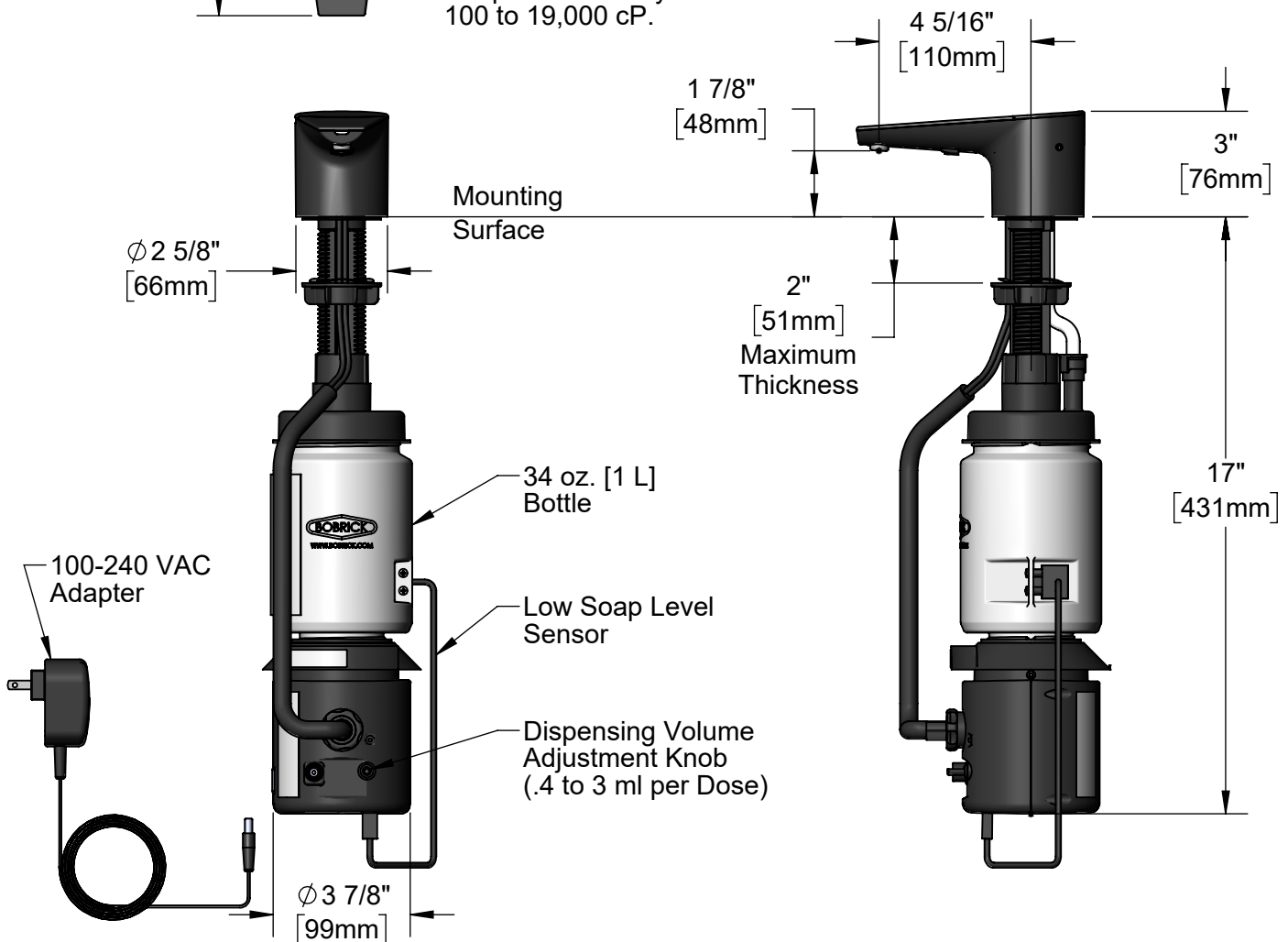
Model Specified _____ Quantity _____

Customer/Wholesaler _____

Contractor _____

Architect/Engineer _____

**Not For Use with Iodine Based or
 Alcohol Based Soaps or Sanitizers**



Rough-In Requirements:
 $\phi 1 \frac{3}{8}$ " [35mm] Mounting Hole.
 (Recommended Hole Location is 3" [76mm] From Sink Rim.)

Product Specifications:
 Matte Black Electronic Liquid Soap Dispenser, Top Fillable with
 34 oz. Bottle & AC Adapter

Product Compliance: