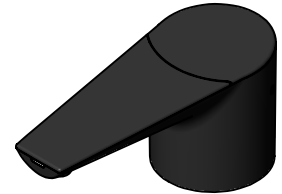
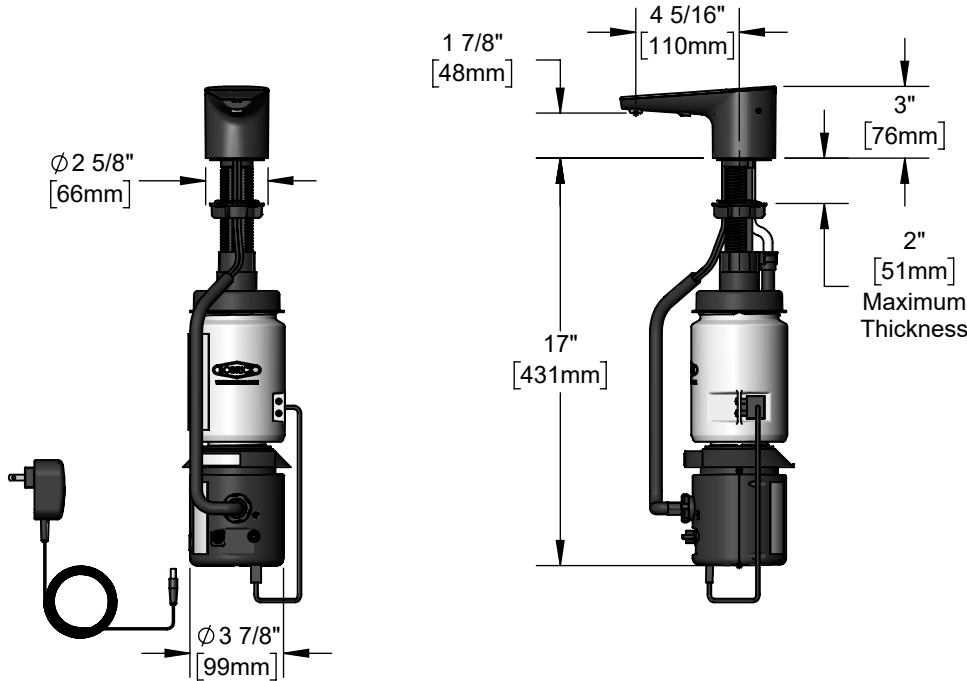




Architect/Engineering Specifications:

Electronic sensor liquid soap dispenser with matte black spout, lockable rotating lid, top fill funnel, and AC adapter.

Job Name _____
 Model Specified _____ Quantity _____
 Variations Specified _____
 Date _____



Features & Benefits:

- Electronic sensor liquid soap dispenser
- Matte black spout
- Top fill funnel beneath rotating lid with locking mechanism
- Uses commercially available liquid hand soap
- 100-240 VAC adapter
- Material: Matte black metal spout

Product Compliance:

- N/A

Warranty: Three Years (Limited)

Performance Data:

- Capacity: 34 oz [1 L]
- Dispensing Volume: 0.4 to 3 ml (adjustable)

