



**T&S BRASS AND BRONZE WORKS, INC.**  
 2 Saddleback Cove / P.O. Box 1088  
 Travelers Rest, SC 29690

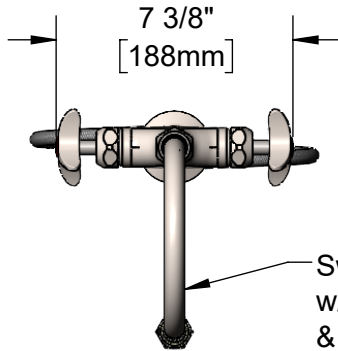
Model No.  
**SL-5700-01CR**

Item No.

Travelers Rest, SC: 800-476-4103 • Simi Valley, CA: 800-423-0150 • Fax: 864-834-3518 • www.tsbrass.com

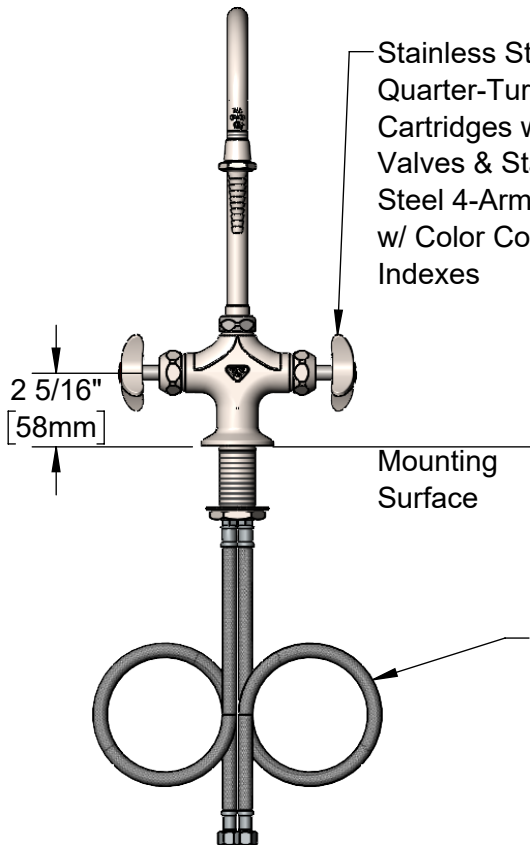
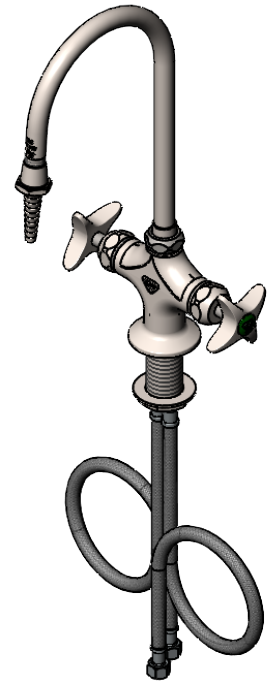
This Space for Architect/Engineer Approval

Job Name \_\_\_\_\_ Date \_\_\_\_\_  
 Model Specified \_\_\_\_\_ Quantity \_\_\_\_\_  
 Customer/Wholesaler \_\_\_\_\_  
 Contractor \_\_\_\_\_  
 Architect/Engineer \_\_\_\_\_



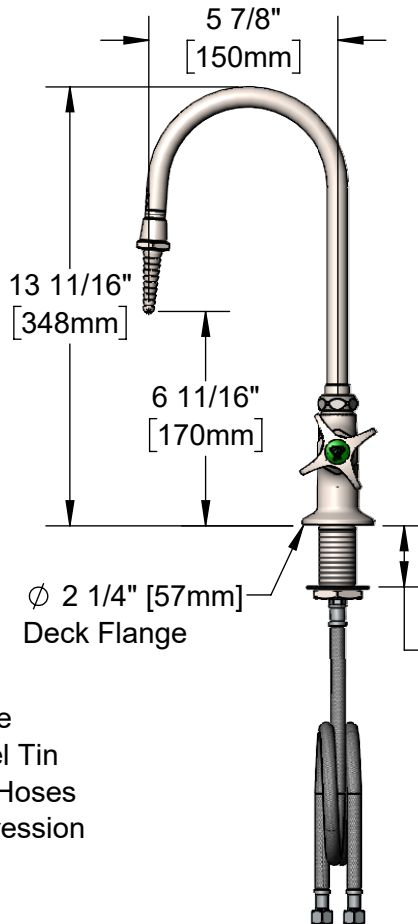
**EVERSTEEL**

Swivel/Rigid Gooseneck w/ S-0198 Serrated Tip & Washer. Converts to Rigid w/ 014200-45 Lock Washer (Included).



Stainless Steel Quarter-Turn Cerama Cartridges w/ Check Valves & Stainless Steel 4-Arm Handles w/ Color Coded Indexes

Mounting Surface



1 7/8" [48mm] Maximum Thickness

(2) 19" Flexible Stainless Steel Tin Lined Supply Hoses w/ 3/8" Compression Fittings

Rough-In Requirement:  
 $\phi$  1 1/2" [38mm] Mounting Hole

Product Specifications:  
 Single Hole Stainless Steel Deck Mount Mixing Faucet, Quarter-Turn Cerama Cartridges w/ Check Valves, 4-Arm Handles, Swivel/Rigid Gooseneck w/ Serrated Tip Outlet & 19" Flexible Stainless Steel Tin Lined Braided Supply Hoses

Product Compliance:  
 ASME A112.18.1 / CSA B125.1  
 NSF 61 Exempt (Non-Potable)  
 NSF 372 (Low Lead Content)  
 ANSI A117.1 (ADA)



# T&S BRASS AND BRONZE WORKS, INC.

2 Saddleback Cove / P.O. Box 1088  
Travelers Rest, SC 29690

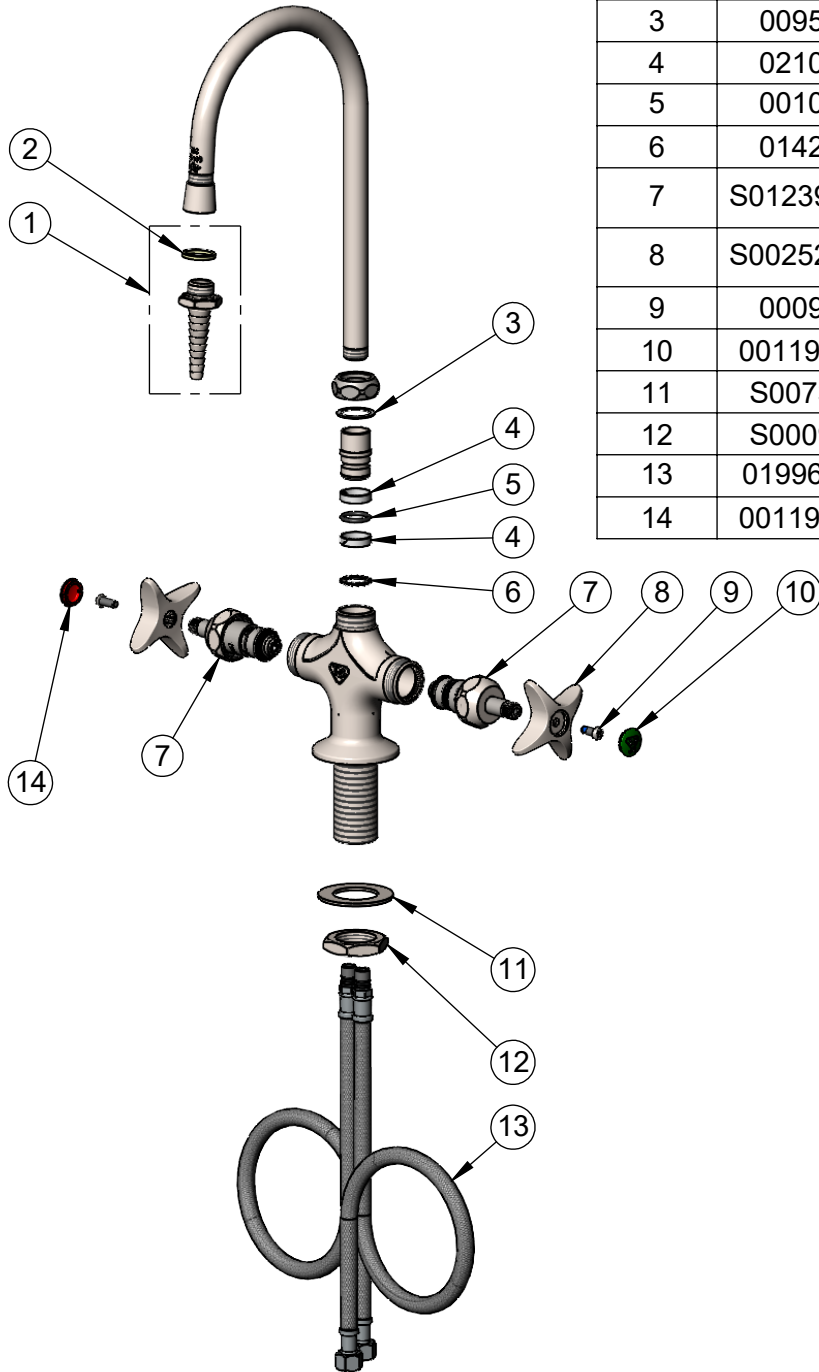
Model No.

**SL-5700-01CR**

Item No.

Travelers Rest, SC: 800-476-4103 • Simi Valley, CA: 800-423-0150 • Fax: 864-834-3518 • www.tsbrass.com

ITEM NO.	SALES NO.	DESCRIPTION
1	S-0198	Serrated Tip w/ Washer, Stainless Steel
2	001051-45	Washer
3	009538-45	Swivel Washer
4	021087-45	Swivel Sleeves (2)
5	001065-45	O-Ring
6	014200-45	Star Washer, Anti-Rotation
7	S012394-30NS	Stainless Steel Quarter-Turn Cerama Cartridge w/ Check Valve, RTC
8	S002521-30NS	4-Arm Handle (New Style), Stainless Steel
9	000925-45	Lab Handle Screw
10	001191-45NS	Green "CW" Lab Button Index
11	S007365-20	Lock Washer
12	S000965-20	Lock Nut
13	019969-45TL	19" Flexible Supply Hose (2), Tin Lined
14	001194-45NS	Red "HW" Lab Button Index



**Product Specifications:**

Single Hole Stainless Steel Deck Mount Mixing Faucet, Quarter-Turn Cerama Cartridges w/ Check Valves, 4-Arm Handles, Swivel/Rigid Gooseneck w/ Serrated Tip Outlet & 19" Flexible Stainless Steel Tin Lined Braided Supply Hoses

**Product Compliance:**

ASME A112.18.1 / CSA B125.1  
NSF 61 Exempt (Non-Potable)  
NSF 372 (Low Lead Content)  
ANSI A117.1 (ADA)