



T&S BRASS AND BRONZE WORKS, INC.
 2 Saddleback Cove / P.O. Box 1088
 Travelers Rest, SC 29690

Model No.
SL-5710-08CR

Item No.

Travelers Rest, SC: 800-476-4103 • Simi Valley, CA: 800-423-0150 • Fax: 864-834-3518 • www.tsbrass.com

This Space for Architect/Engineer Approval

Job Name _____ Date _____

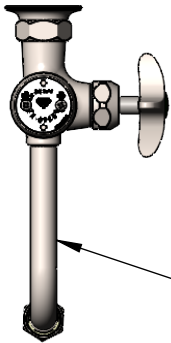
Model Specified _____ Quantity _____

Customer/Wholesaler _____

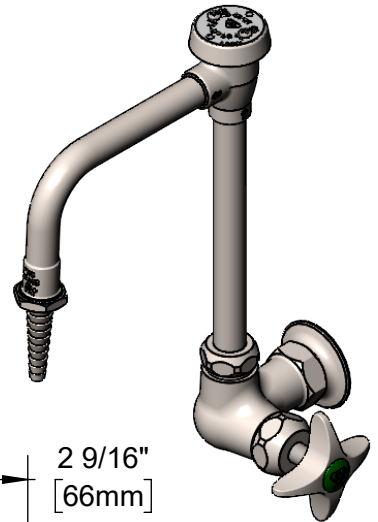
Contractor _____

Architect/Engineer _____

EVERSTEEL



Swivel Vacuum Breaker Nozzle w/
 Serrated Tip Outlet & 0.5 GPM Flow
 Control. Converts to Rigid w/ 014200-45
 Lock Washer (Included).



S-0968
 3/8" NPT
 Vacuum Breaker

5 11/16"
 [144mm]

2 9/16"
 [66mm]

10"
 [254mm]

3 3/4"
 [95mm]

3 3/16"
 [82mm]

Stainless Steel
 Quarter-Turn Cerama
 Cartridge w/ Check
 Valves & Stainless
 Steel 4-Arm Handle
 w/ Color Coded Index

1/2" NPT Female Inlet

Mounting Surface

Product Specifications:

Single Hole Stainless Steel Single Temperature Wall Mount Faucet,
 Quarter-Turn Cerama Cartridge w/ Check Valve, 4-Arm Handle, Swivel
 Vacuum Breaker Nozzle, Serrated Tip w/ 0.5 GPM Flow Control & 1/2" NPT
 Female Inlet

Product Compliance:

ASME A112.18.1 / CSA B125.1
 NSF 61 - Section 9
 NSF 372 (Low Lead Content)
 ANSI A117.1 (ADA)



T&S BRASS AND BRONZE WORKS, INC.

2 Saddleback Cove / P.O. Box 1088
Travelers Rest, SC 29690

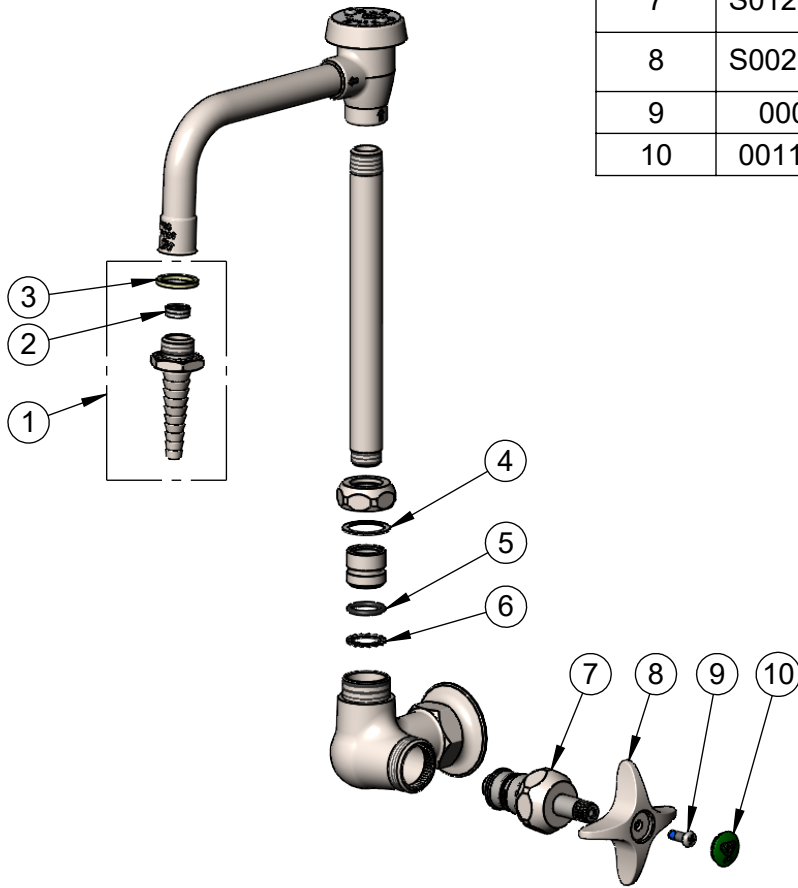
Model No.

SL-5710-08CR

Item No.

Travelers Rest, SC: 800-476-4103 • Simi Valley, CA: 800-423-0150 • Fax: 864-834-3518 • www.tsbrass.com

| ITEM NO. | SALES NO. | DESCRIPTION |
|----------|--------------|---|
| 1 | S-0198-FD05 | Stainless Steel Serrated Tip w/ 0.5 GPM Flow Disc & Washer |
| 2 | FD05 | Flow Disc, 0.5 GPM [1.9 L/min.] (Lime) |
| 3 | 001051-45 | Washer |
| 4 | 009538-45 | Swivel Washer |
| 5 | 001065-45 | O-Ring |
| 6 | 014200-45 | Star Washer, Anti-Rotation |
| 7 | S012394-30NS | Stainless Steel Quarter-Turn Cerama Cartridge w/ Check Valve, RTC |
| 8 | S002521-30NS | 4-Arm Handle (New Style), Stainless Steel |
| 9 | 000925-45 | Lab Handle Screw |
| 10 | 001191-45NS | Green "CW" Lab Button Index |



Product Specifications:

Single Hole Stainless Steel Single Temperature Wall Mount Faucet, Quarter-Turn Cerama Cartridge w/ Check Valve, 4-Arm Handle, Swivel Vacuum Breaker Nozzle, Serrated Tip w/ 0.5 GPM Flow Control & 1/2" NPT Female Inlet

Product Compliance:

ASME A112.18.1 / CSA B125.1
NSF 61 - Section 9
NSF 372 (Low Lead Content)
ANSI A117.1 (ADA)