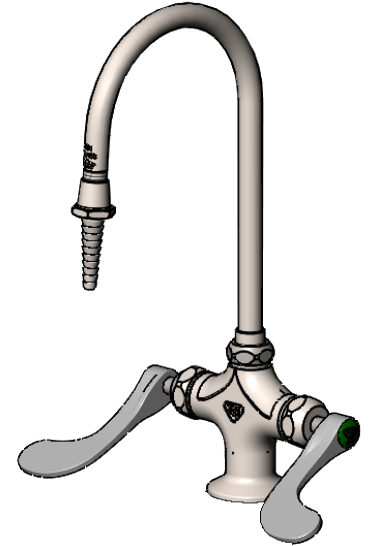
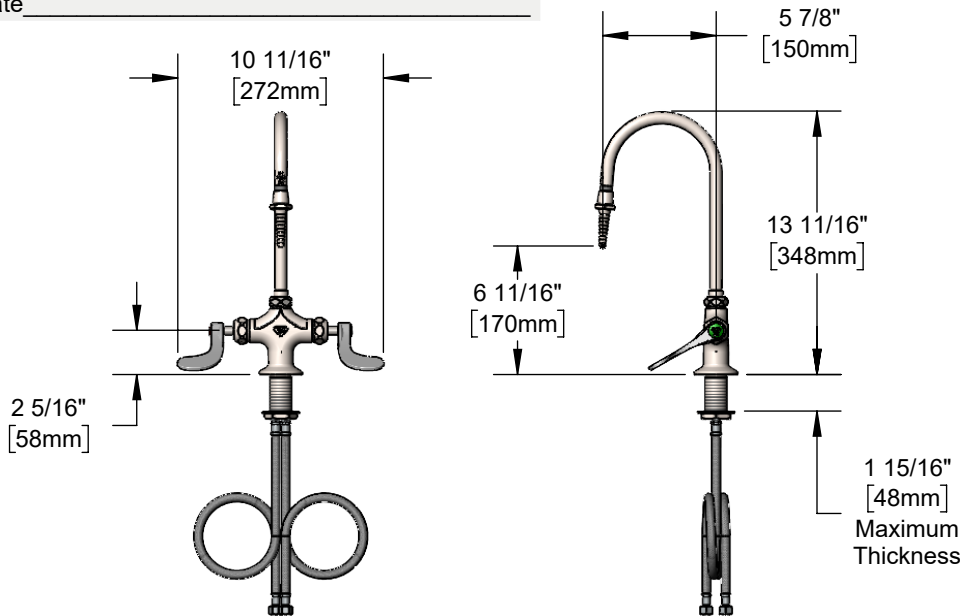




Architect/Engineering Specifications:

Single hole stainless steel deck mount mixing faucet, stainless steel 5 7/8" swivel/rigid gooseneck with serrated tip outlet, stainless steel ceramic cartridges with check valves, stainless steel 4" wrist action handles and 19" flexible stainless steel tin lined supply hoses with 3/8" O.D. compression connections. Certified to ASME A112.18.1 / CSA B125.1 and NSF 372. Meets ADA ANSI/ICC A117.1 requirements.

Job Name _____
 Model Specified _____ Quantity _____
 Variations Specified _____
 Date _____



Features & Benefits:

- Single hole deck mount mixing faucet w/ stainless steel body
- Stainless steel 5 7/8" swivel/rigid gooseneck w/ serrated tip outlet
- Stainless steel quarter-turn Cerama cartridges with check valves to prevent cross flow of water
- Stainless steel 4" wrist action handles w/ color coded indexes
- 19" flexible stainless steel tin lined supply hoses w/ 3/8" O.D. compression connections
- Material: Stainless steel body, tubular spout, cartridges, handles, and tin lined stainless steel hoses

Product Compliance:

- ASME A112.18.1 / CSA B125.1
- NSF 61 Exempt (Non-Potable)
- NSF 372 (Low Lead Content)
- ANSI A117.1 (ADA)



ADA Compliant

Warranty: Lifetime (Limited)

Performance Data:

- Pressure: 20 - 125 psi [1.38 - 8.62 bar]
- Temperature: 40°F - 140°F [4.44°C - 60°C]
- Flow Rate: 4.32 GPM [16.35 L/min] @ 60 psi [4.14 bar]

Optional SS Handles

- 4" Wrist Action (Standard)
- Lever
- 4-Arm

