



**T&S BRASS AND BRONZE WORKS, INC.**  
 2 Saddleback Cove / P.O. Box 1088  
 Travelers Rest, SC 29690

Model No.

**SL-5705-04CR**

Item No.

Travelers Rest, SC: 800-476-4103 • Simi Valley, CA: 800-423-0150 • Fax: 864-834-3518 • www.tsbrass.com

This Space for Architect/Engineer Approval

Job Name \_\_\_\_\_ Date \_\_\_\_\_

Model Specified \_\_\_\_\_ Quantity \_\_\_\_\_

Customer/Wholesaler \_\_\_\_\_

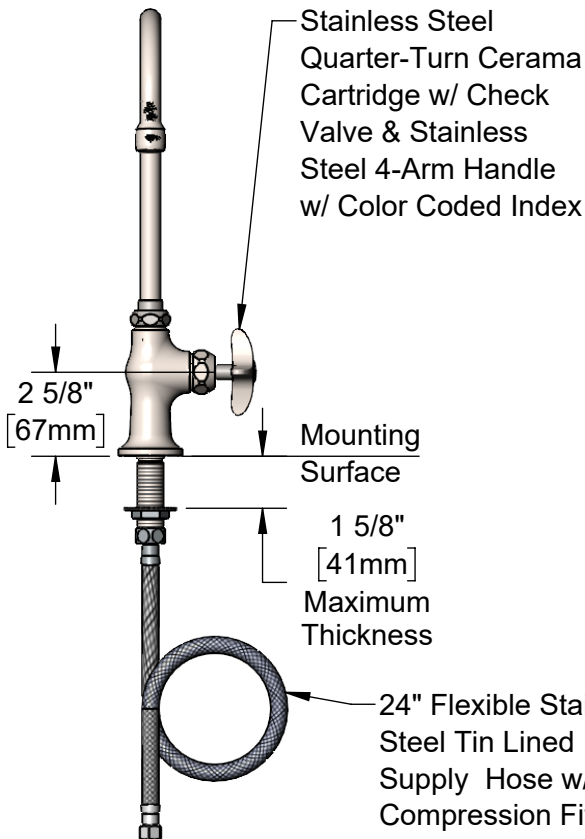
Contractor \_\_\_\_\_

Architect/Engineer \_\_\_\_\_

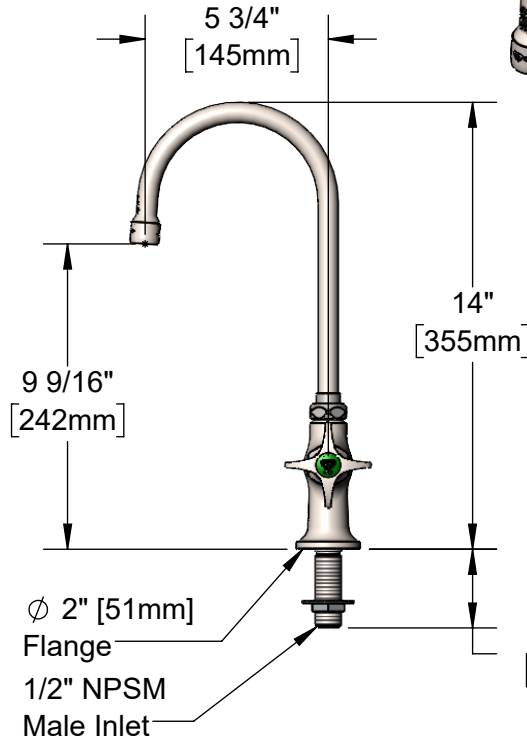
**EVERSTEEL**



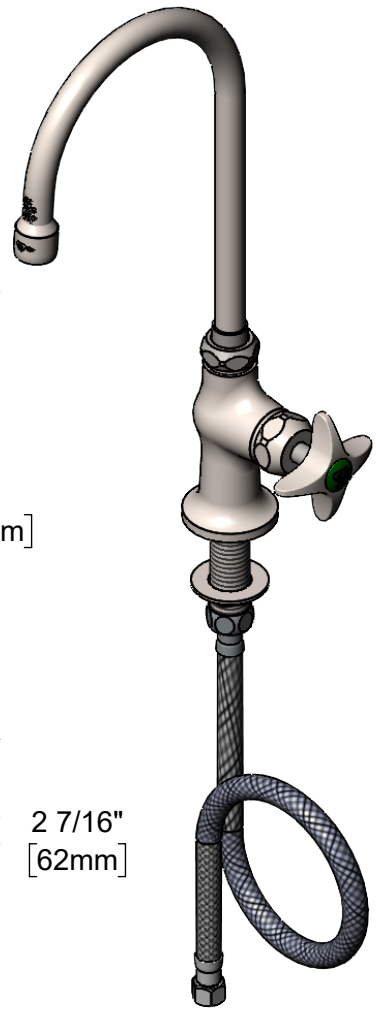
S133X-A22  
 Stainless Steel 5 3/4" Swivel  
 Gooseneck w/ 2.2 GPM  
 Stainless Steel Aerator.  
 Converts to Rigid w/  
 014200-45 Lock Washer  
 (Included)



Stainless Steel  
 Quarter-Turn Cerama  
 Cartridge w/ Check  
 Valve & Stainless  
 Steel 4-Arm Handle  
 w/ Color Coded Index



Ø 2" [51mm]  
 Flange  
 1/2" NPSM  
 Male Inlet



2 7/16"  
 [62mm]

24" Flexible Stainless  
 Steel Tin Lined  
 Supply Hose w/ 3/8"  
 Compression Fitting

Rough-In Requirement:  
 Ø 1 1/2" [38mm] Mounting Hole

Product Specifications:  
 Single Hole Stainless Steel Single Temperature Deck Mount Faucet,  
 Quarter-Turn Cerama Cartridge w/ Check Valve, 4-Arm Handle, Swivel/Rigid  
 Gooseneck w/ 2.2 GPM Stainless Steel Aerator & 24" Flexible Stainless Steel  
 Tin Lined Braided Supply Hose w/ 3/8" Compression Inlet

Product Compliance:  
 ASME A112.18.1 / CSA B125.1  
 NSF 61 Exempt (Non-Potable)  
 NSF 372 (Low Lead Content)  
 ANSI A117.1 (ADA)



# T&S BRASS AND BRONZE WORKS, INC.

2 Saddleback Cove / P.O. Box 1088  
Travelers Rest, SC 29690

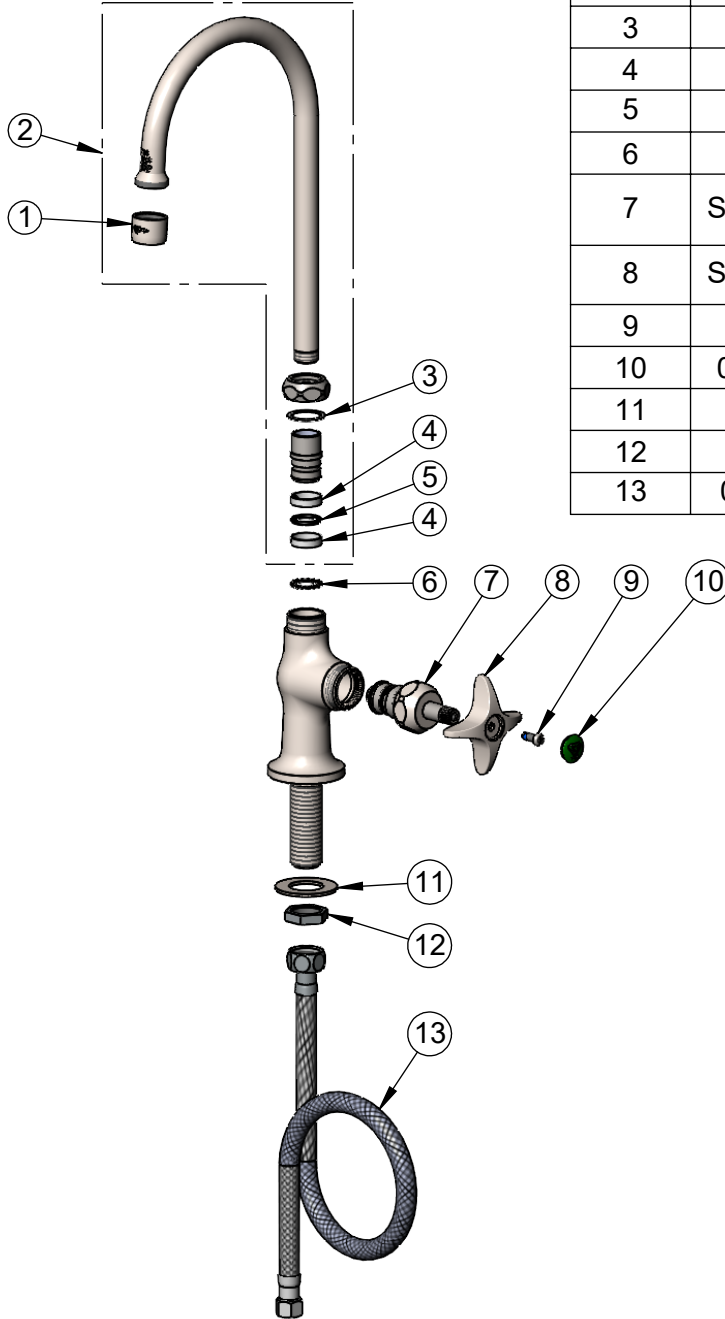
Model No.

**SL-5705-04CR**

Item No.

Travelers Rest, SC: 800-476-4103 • Simi Valley, CA: 800-423-0150 • Fax: 864-834-3518 • www.tsbrass.com

ITEM NO.	SALES NO.	DESCRIPTION
1	S-0199-01	2.2 GPM Aerator, 55/64-27 UN Female
2	S133X-A22	5 3/4" SS Swivel Gooseneck w/ 2.2 GPM SS Aerator
3	009538-45	Swivel Washer
4	021087-45	Swivel Sleeves (2)
5	001074-45	O-Ring
6	014200-45	Star Washer, Anti-Rotation
7	S012394-30NS	Stainless Steel Quarter-Turn Cerama Cartridge w/ Check Valve, RTC
8	S002521-30NS	4-Arm Handle (New Style), Stainless Steel
9	000925-45	Lab Handle Screw
10	001191-45NS	Green "CW" Lab Button Index
11	S000999-20	Stainless Steel Lock Washer
12	S002954-20	Shank Lock Nut
13	017420-45TL	24" Flexible Supply Hose, Tin Lined



**Product Specifications:**

Single Hole Stainless Steel Single Temperature Deck Mount Faucet, Quarter-Turn Cerama Cartridge w/ Check Valve, 4-Arm Handle, Swivel/Rigid Gooseneck w/ 2.2 GPM Stainless Steel Aerator & 24" Flexible Stainless Steel Tin Lined Braided Supply Hose w/ 3/8" Compression Inlet

**Product Compliance:**

ASME A112.18.1 / CSA B125.1  
NSF 61 Exempt (Non-Potable)  
NSF 372 (Low Lead Content)  
ANSI A117.1 (ADA)