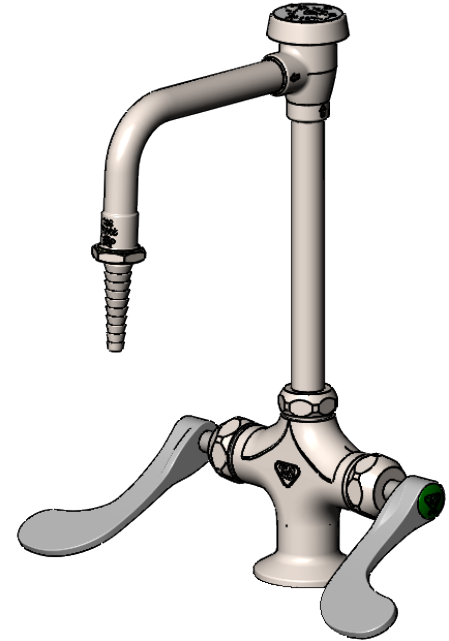
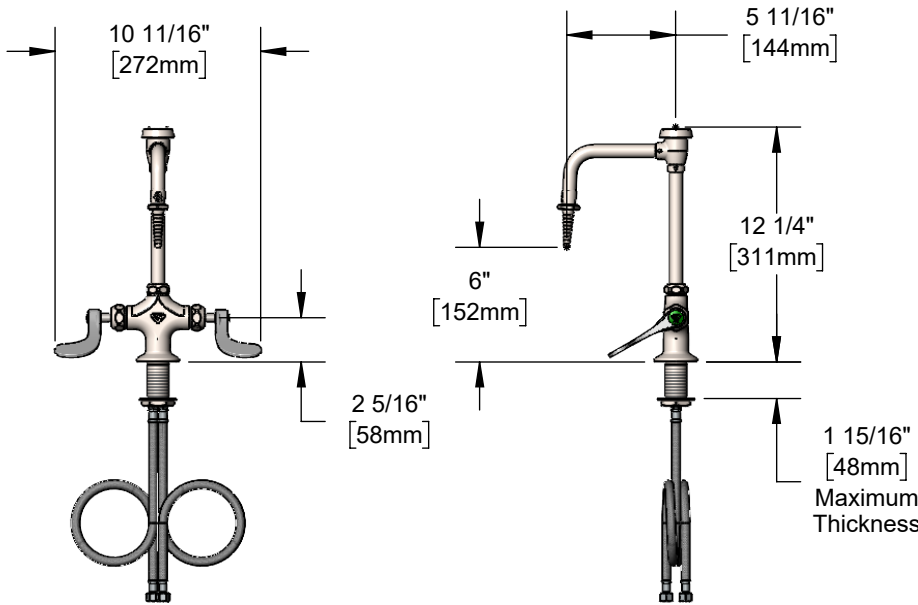




Architect/Engineering Specifications:

Single hole stainless steel deck mount mixing faucet, stainless steel swivel/rigid vacuum breaker nozzle with serrated tip outlet with 0.5 GPM flow control, stainless steel ceramic cartridges with check valves, stainless steel 4" wrist action handles and 19" flexible stainless steel tin lined supply hoses with 3/8" O.D. compression connections. Certified to ASME A112.18.1 / CSA B125.1 and NSF 372. Meets ADA ANSI/ICC A117.1 requirements.

Job Name _____
 Model Specified _____ Quantity _____
 Variations Specified _____
 Date _____



Features & Benefits:

- Single hole deck mount mixing faucet w/ stainless steel body
- Stainless steel swivel/rigid vacuum breaker nozzle
- Stainless steel serrated tip outlet w/ 0.5 GPM flow control & washer
- Stainless steel quarter-turn Cerama cartridges with check valves to prevent cross flow of water
- Stainless steel 4" wrist action handles w/ color coded indexes
- 19" flexible stainless steel tin lined supply hoses w/ 3/8" O.D. compression connections
- Material: Stainless steel body, tubular spout, cartridges, handles, and tin lined stainless steel hoses

Product Compliance:

- ASME A112.18.1 / CSA B125.1
- NSF 61 Exempt (Non-Potable)
- NSF 372 (Low Lead Content)
- ANSI A117.1 (ADA)
- ASSE 1001 (VB)



ADA Compliant

Warranty: Lifetime (Limited)

Performance Data:

- Pressure: 20 - 125 psi [1.38 - 8.62 bar]
- Temperature: 40°F - 140°F [4.44°C - 60°C]
- Flow Rate: 0.5 GPM [1.89 L/min] @ 60 psi [4.14 bar]

Optional SS Handles

- 4" Wrist Action (Standard)
- Lever
- 4-Arm

