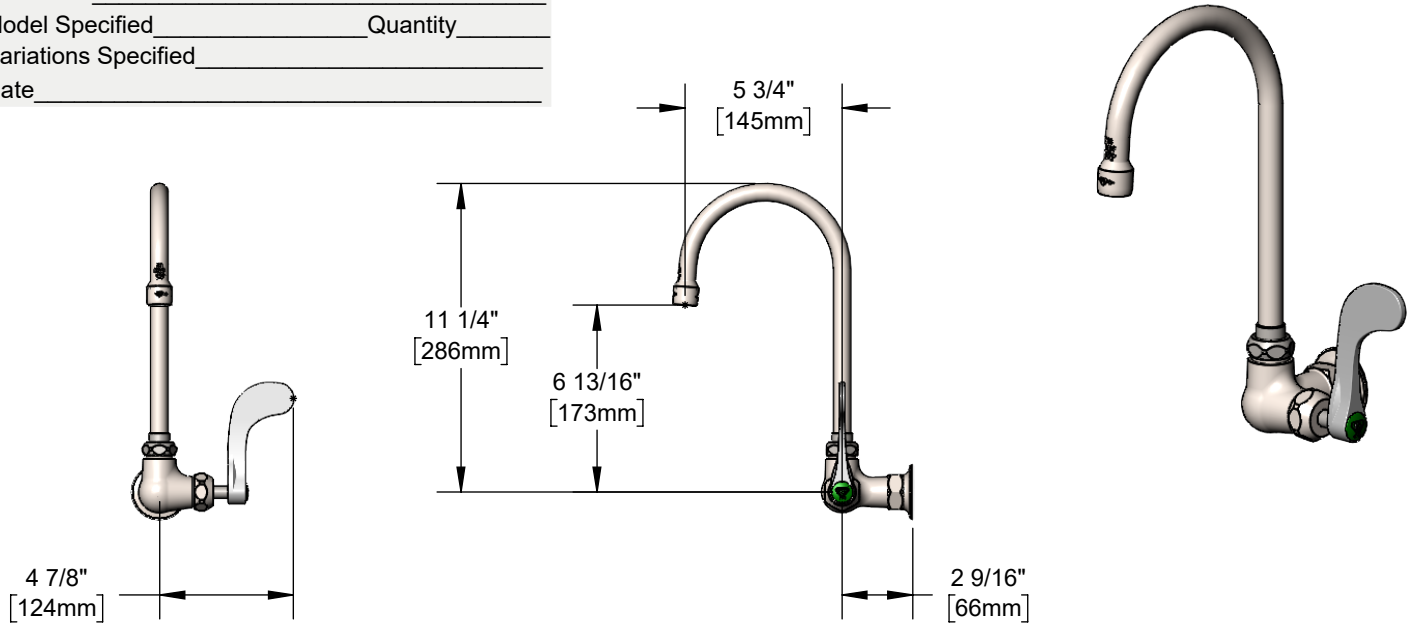




**Architect/Engineering Specifications:**

Single hole stainless steel single temperature wall mount faucet, stainless steel 5 3/4" swivel/rigid gooseneck with 2.2 GPM stainless steel aerator, stainless steel ceramic cartridge with check valve, stainless steel 4" wrist action handle and 1/2" NPSM male inlet. Certified to ASME A112.18.1 / CSA B125.1, NSF 61-Section 9 and NSF 372. Meets ADA ANSI/ICC A117.1 requirements.

Job Name \_\_\_\_\_  
 Model Specified \_\_\_\_\_ Quantity \_\_\_\_\_  
 Variations Specified \_\_\_\_\_  
 Date \_\_\_\_\_



**Features & Benefits:**

- Single hole single temperature wall mount faucet w/ stainless steel body
- Stainless steel 5 3/4" swivel/rigid gooseneck
- 2.2 GPM stainless steel aerator, Series 1 (S-0199-01)
- Stainless steel quarter-turn Cerama cartridge with check valve
- Stainless steel 4" wrist action handle w/ green index
- 1/2" NPT female inlet
- Material: Stainless steel body, tubular spout, cartridge and handle

**Product Compliance:**

- ASME A112.18.1 / CSA B125.1
- NSF 61 - Section 9
- NSF 372 (Low Lead Content)
- ANSI A117.1 (ADA)



**Warranty:** Lifetime (Limited)



**ADA Compliant**

**Performance Data:**

- Pressure: 20 - 125 psi [1.38 - 8.62 bar]
- Temperature: 40°F - 140°F [4.44°C - 60°C]
- Flow Rate: 2.2 GPM [8.3 L/min] @ 60 psi [4.14 bar]

**Optional SS Handles**

- 4" Wrist Action (Standard)
- Lever
- 4-Arm

