



**T&S BRASS AND BRONZE WORKS, INC.**  
 2 Saddleback Cove / P.O. Box 1088  
 Travelers Rest, SC 29690

Model No.  
**SL-5705-01CRWH4**

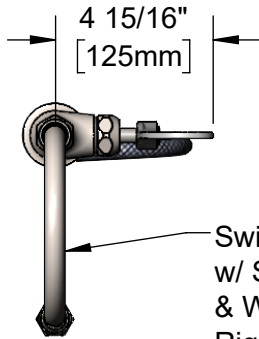
Item No.

Travelers Rest, SC: 800-476-4103 • Simi Valley, CA: 800-423-0150 • Fax: 864-834-3518 • www.tsbrass.com

This Space for Architect/Engineer Approval

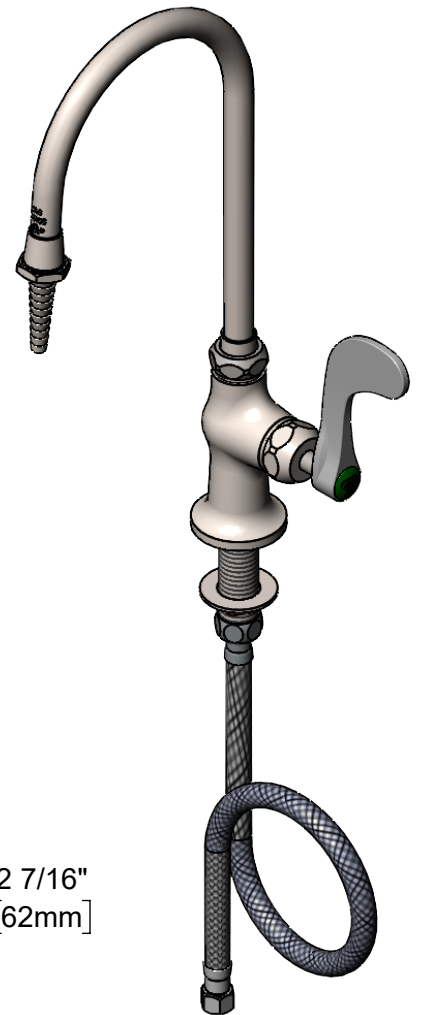
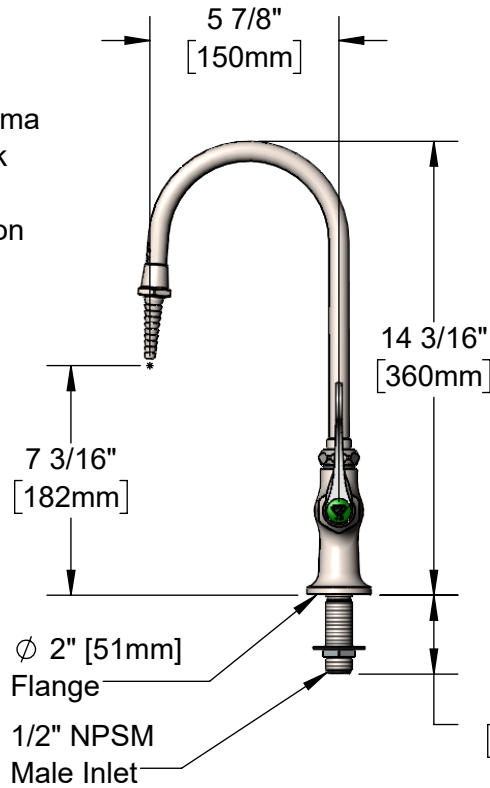
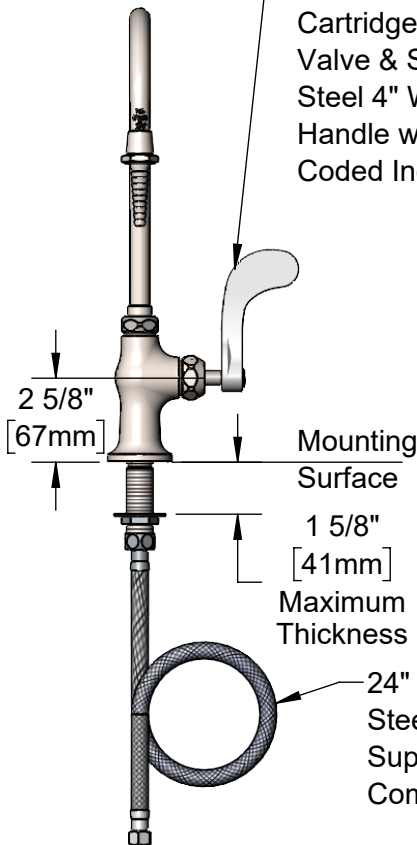
Job Name \_\_\_\_\_ Date \_\_\_\_\_  
 Model Specified \_\_\_\_\_ Quantity \_\_\_\_\_  
 Customer/Wholesaler \_\_\_\_\_  
 Contractor \_\_\_\_\_  
 Architect/Engineer \_\_\_\_\_

**EVERSTEEL**



Swivel/Rigid Gooseneck w/ S-0198 Serrated Tip & Washer. Converts to Rigid w/ 014200-45 Lock Washer (Included).

Stainless Steel Quarter-Turn Cerama Cartridge w/ Check Valve & Stainless Steel 4" Wrist Action Handle w/ Color Coded Index



**Rough-In Requirement:**  
 $\phi$  1 1/2" [38mm] Mounting Hole

**Product Specifications:**  
 Single Hole Stainless Steel Single Temperature Deck Mount Faucet, Quarter-Turn Cerama Cartridge w/ Check Valve, 4" Wrist Action Handle, Swivel/Rigid Gooseneck w/ Serrated Tip Outlet & 24" Flexible Stainless Steel Tin Lined Braided Supply Hose w/ 3/8" Compression Inlet

**Product Compliance:**  
 ASME A112.18.1 / CSA B125.1  
 NSF 61 Exempt (Non-Potable)  
 NSF 372 (Low Lead Content)  
 ANSI A117.1 (ADA)



# T&S BRASS AND BRONZE WORKS, INC.

2 Saddleback Cove / P.O. Box 1088  
Travelers Rest, SC 29690

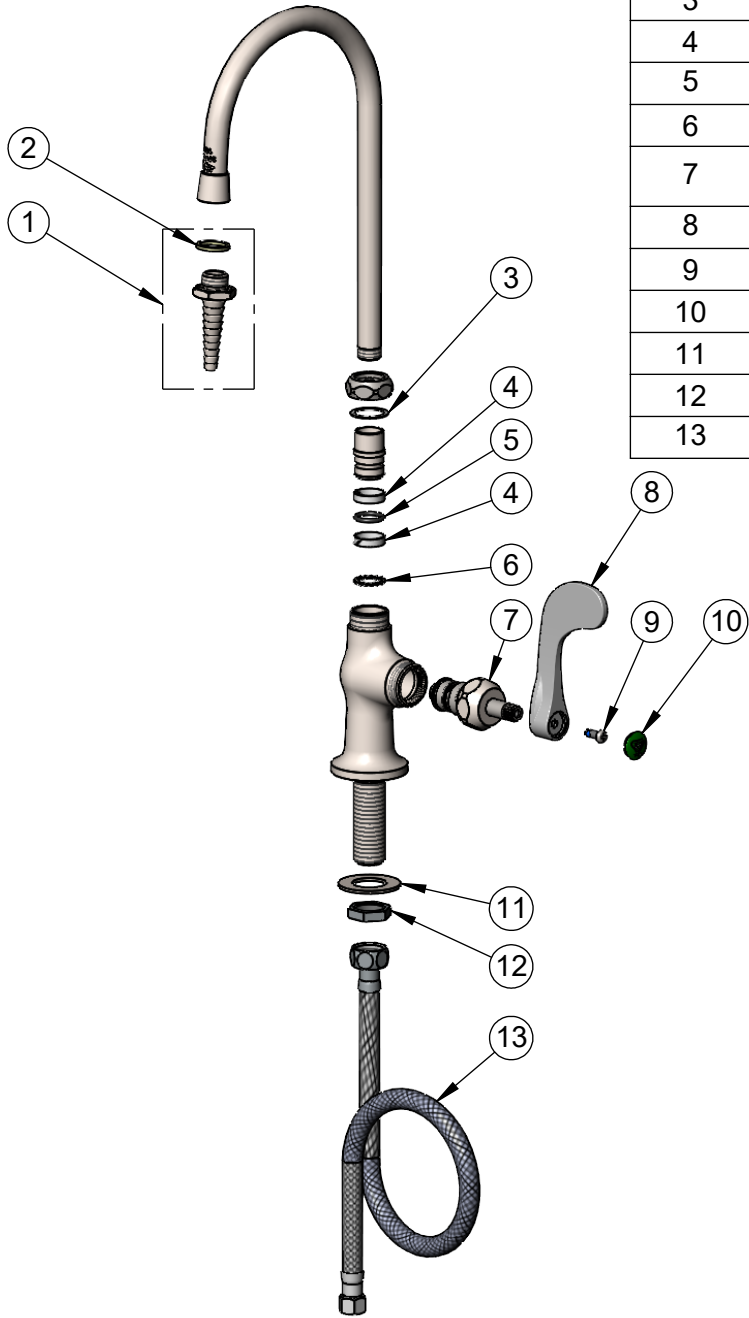
Model No.

**SL-5705-01CRWH4**

Item No.

Travelers Rest, SC: 800-476-4103 • Simi Valley, CA: 800-423-0150 • Fax: 864-834-3518 • www.tsbrass.com

ITEM NO.	SALES NO.	DESCRIPTION
1	S-0198	Serrated Tip w/ Washer, Stainless Steel
2	001051-45	Washer
3	009538-45	Swivel Washer
4	021087-45	Swivel Sleeves (2)
5	001065-45	O-Ring
6	014200-45	Star Washer, Anti-Rotation
7	S012394-30NS	Stainless Steel Quarter-Turn Cerama Cartridge w/ Check Valve, RTC
8	S-WH4-NS	Wrist Action Handle - New Style
9	000925-45	Lab Handle Screw
10	001191-45NS	Green "CW" Lab Button Index
11	S000999-20	Stainless Steel Lock Washer
12	S002954-20	Shank Lock Nut
13	017420-45TL	24" Flexible Supply Hose, Tin Lined



**Product Specifications:**

Single Hole Stainless Steel Single Temperature Deck Mount Faucet, Quarter-Turn Cerama Cartridge w/ Check Valve, 4" Wrist Action Handle, Swivel/Rigid Gooseneck w/ Serrated Tip Outlet & 24" Flexible Stainless Steel Tin Lined Braided Supply Hose w/ 3/8" Compression Inlet

**Product Compliance:**

ASME A112.18.1 / CSA B125.1  
NSF 61 Exempt (Non-Potable)  
NSF 372 (Low Lead Content)  
ANSI A117.1 (ADA)