



T&S BRASS AND BRONZE WORKS, INC.
 2 Saddleback Cove / P.O. Box 1088
 Travelers Rest, SC 29690

Model No.

SL-5710-01CR

Item No.

Travelers Rest, SC: 800-476-4103 • Simi Valley, CA: 800-423-0150 • Fax: 864-834-3518 • www.tsbrass.com

This Space for Architect/Engineer Approval

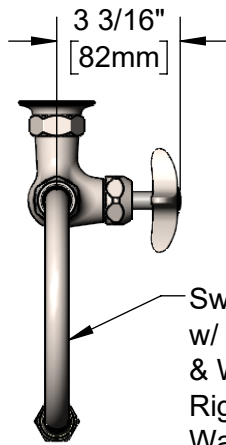
Job Name _____ Date _____

Model Specified _____ Quantity _____

Customer/Wholesaler _____

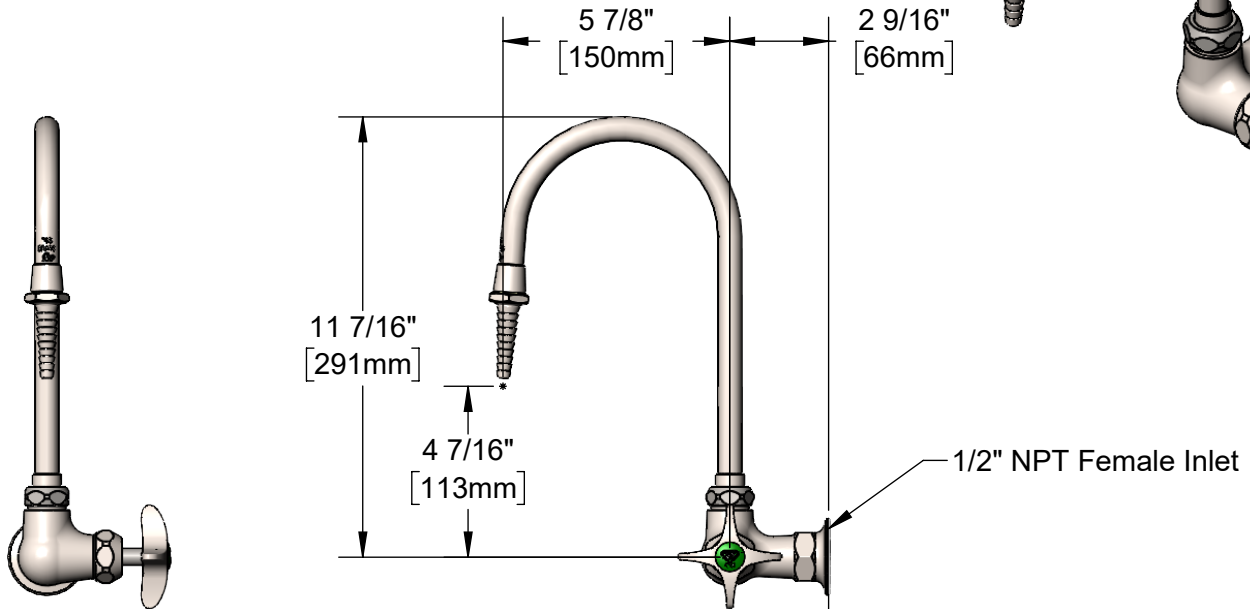
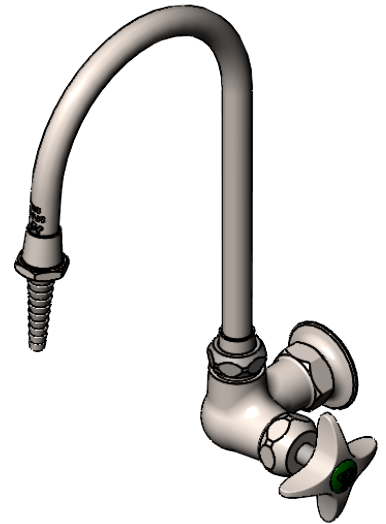
Contractor _____

Architect/Engineer _____



EVERSTEEL

Swivel/Rigid Gooseneck
 w/ S-0198 Serrated Tip
 & Washer. Converts to
 Rigid w/ 014200-45 Lock
 Washer (Included).



Stainless Steel
 Quarter-Turn Cerama
 Cartridge w/ Check
 Valve & Stainless
 Steel 4-Arm Handle
 w/ Color Coded Index

Mounting Surface

1/2" NPT Female Inlet

Product Specifications:

Single Hole Stainless Steel Single Temperature Wall Mount Faucet,
 Quarter-Turn Cerama Cartridge w/ Check Valve, 4-Arm Handle,
 Swivel/Rigid Gooseneck w/ Serrated Tip Outlet, and 1/2" NPT Female Inlet

Product Compliance:

ASME A112.18.1 / CSA B125.1
 NSF 61 - Section 9
 NSF 372 (Low Lead Content)
 ANSI A117.1 (ADA)



T&S BRASS AND BRONZE WORKS, INC.

2 Saddleback Cove / P.O. Box 1088
Travelers Rest, SC 29690

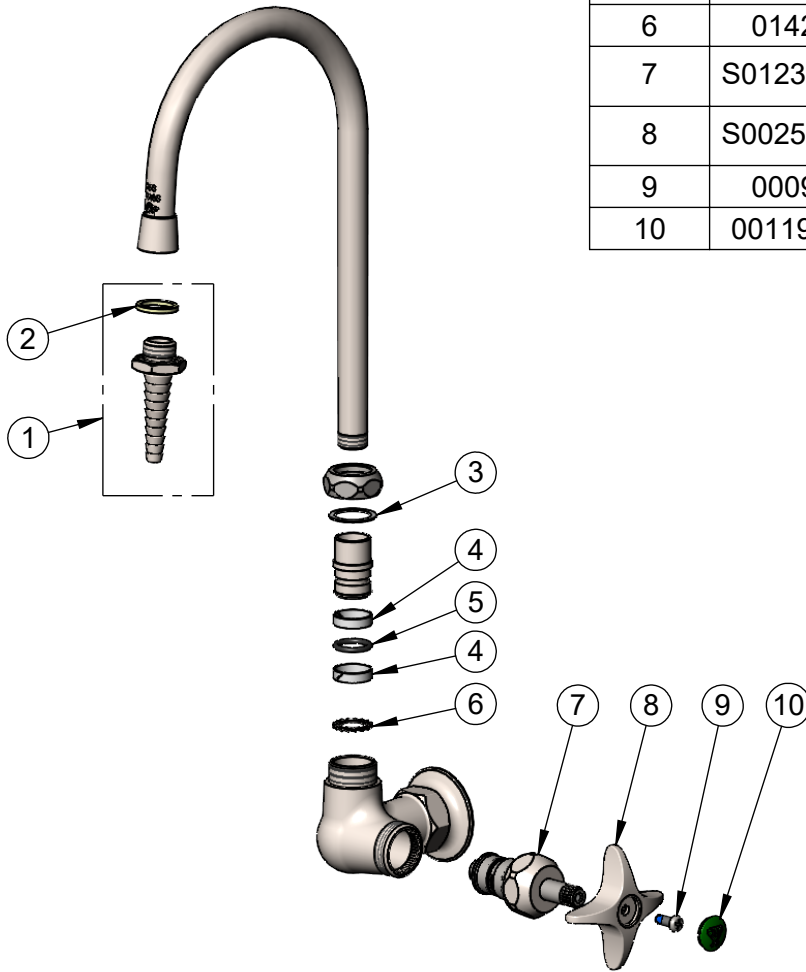
Model No.

SL-5710-01CR

Item No.

Travelers Rest, SC: 800-476-4103 • Simi Valley, CA: 800-423-0150 • Fax: 864-834-3518 • www.tsbrass.com

| ITEM NO. | SALES NO. | DESCRIPTION |
|----------|--------------|---|
| 1 | S-0198 | Serrated Tip w/ Washer, Stainless Steel |
| 2 | 001051-45 | Washer |
| 3 | 009538-45 | Swivel Washer |
| 4 | 021087-45 | Swivel Sleeves (2) |
| 5 | 001065-45 | O-Ring |
| 6 | 014200-45 | Star Washer, Anti-Rotation |
| 7 | S012394-30NS | Stainless Steel Quarter-Turn Cerama Cartridge w/ Check Valve, RTC |
| 8 | S002521-30NS | 4-Arm Handle (New Style), Stainless Steel |
| 9 | 000925-45 | Lab Handle Screw |
| 10 | 001191-45NS | Green "CW" Lab Button Index |



Product Specifications:

Single Hole Stainless Steel Single Temperature Wall Mount Faucet, Quarter-Turn Cerama Cartridge w/ Check Valve, 4-Arm Handle, Swivel/Rigid Gooseneck w/ Serrated Tip Outlet, and 1/2" NPT Female Inlet

Product Compliance:

ASME A112.18.1 / CSA B125.1
NSF 61 - Section 9
NSF 372 (Low Lead Content)
ANSI A117.1 (ADA)