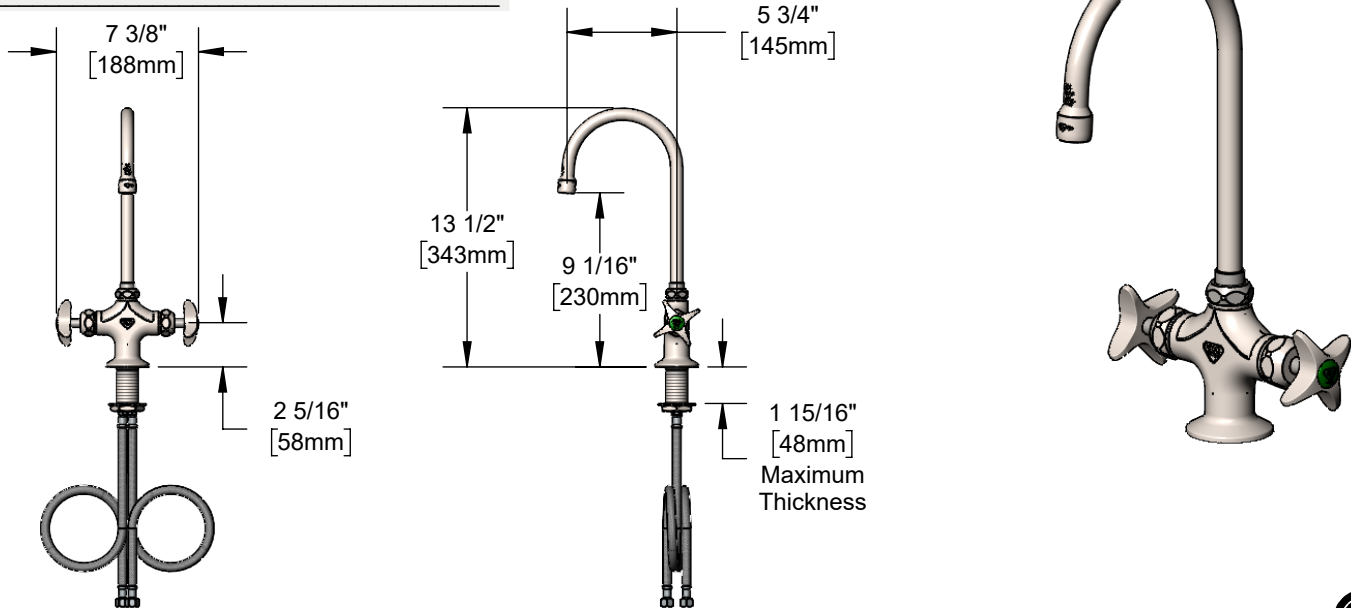




**Architect/Engineering Specifications:**

Single hole stainless steel deck mount mixing faucet, stainless steel 5 3/4" swivel/rigid gooseneck with 2.2 GPM stainless steel aerator, stainless steel ceramic cartridges with check valves, stainless steel 4-arm handles and 19" flexible stainless steel tin lined supply hoses with 3/8" O.D. compression connections. Certified to ASME A112.18.1 / CSA B125.1 and NSF 372. Meets ADA ANSI/ICC A117.1 requirements.

Job Name \_\_\_\_\_  
 Model Specified \_\_\_\_\_ Quantity \_\_\_\_\_  
 Variations Specified \_\_\_\_\_  
 Date \_\_\_\_\_



**Features & Benefits:**

- Single hole deck mount mixing faucet w/ stainless steel body
- Stainless steel 5 3/4" swivel/rigid gooseneck
- 2.2 GPM stainless steel aerator, Series 1 (S-0199-01)
- Quarter-turn Cerama cartridges with check valves to prevent cross flow of water
- 4-arm handles w/ color coded indexes
- 19" flexible stainless steel tin lined supply hoses w/ 3/8" O.D. compression connections
- Material: Stainless steel body, tubular spout, cartridges, handles, and tin lined stainless steel hoses

**Product Compliance:**

- ASME A112.18.1 / CSA B125.1
- NSF 61 Exempt (Non-Potable)
- NSF 372 (Low Lead Content)
- ANSI A117.1 (ADA)



**ADA Compliant**

**Warranty:** Lifetime (Limited)

**Performance Data:**

- Pressure: 20 - 125 psi [1.38 - 8.62 bar]
- Temperature: 40°F - 140°F [4.44°C - 60°C]
- Flow Rate: 2.2 GPM [8.33 L/min] @ 60 psi [4.14 bar]

**Optional SS Handles**

- 4" Wrist Action
- Lever
- 4-Arm (Standard)

