



T&S BRASS AND BRONZE WORKS, INC.
 2 Saddleback Cove / P.O. Box 1088
 Travelers Rest, SC 29690

Model No.

SL-5700-08CR

Item No.

Travelers Rest, SC: 800-476-4103 • Simi Valley, CA: 800-423-0150 • Fax: 864-834-3518 • www.tsbrass.com

This Space for Architect/Engineer Approval

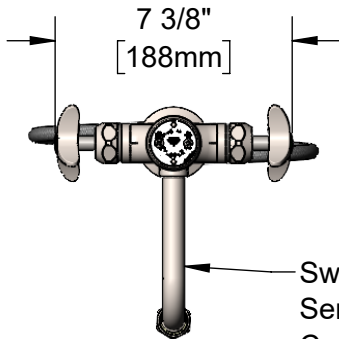
Job Name _____ Date _____

Model Specified _____ Quantity _____

Customer/Wholesaler _____

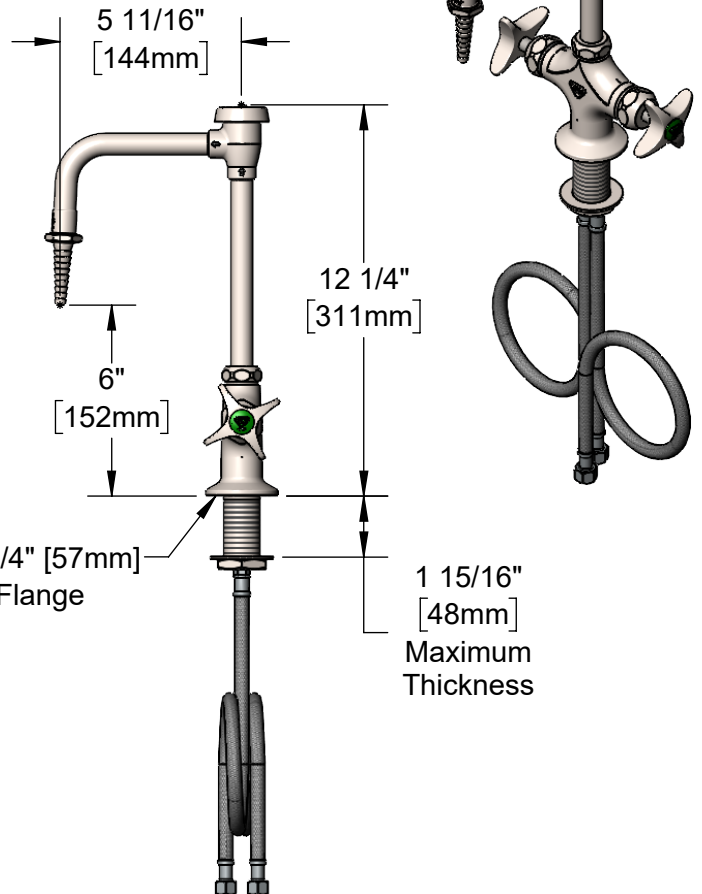
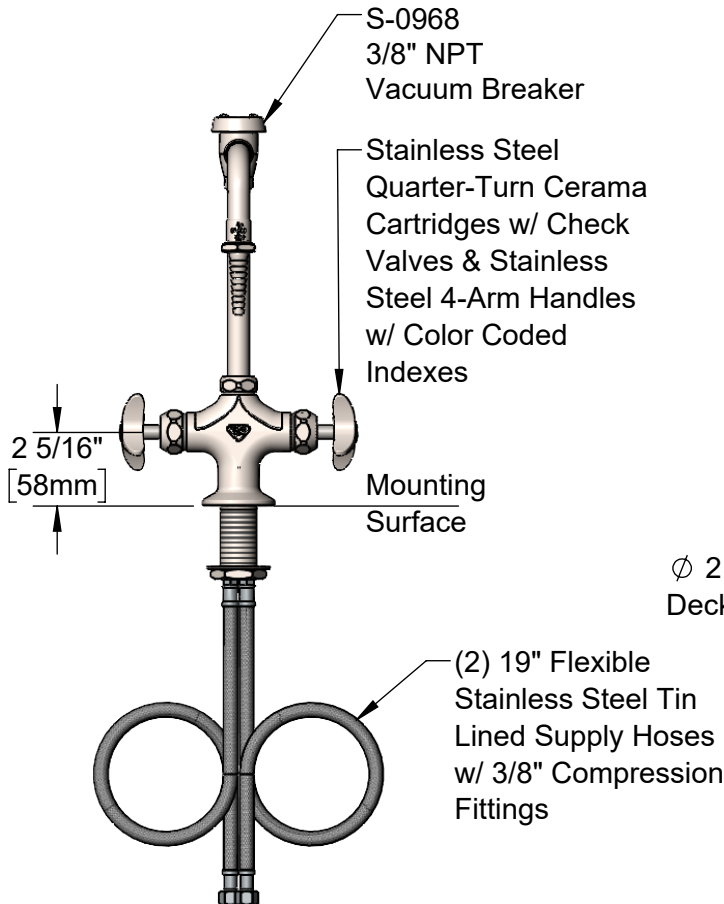
Contractor _____

Architect/Engineer _____



EVERSTEEL

Swivel Vacuum Breaker Nozzle w/
 Serrated Tip Outlet & 0.5 GPM Flow
 Control. Converts to Rigid w/ 014200-45
 Lock Washer (Included).



Rough-In Requirement:
 Ø 1 1/2" [38mm] Mounting Hole

Product Specifications:
 Single Hole Stainless Steel Deck Mount Mixing Faucet, Quarter-Turn Cerama
 Cartridges w/ Check Valves, 4-Arm Handles, Swivel Vacuum Breaker Nozzle,
 Serrated Tip w/ 0.5 GPM Flow Control & 19" Flexible Stainless Steel Tin Lined
 Braided Supply Hoses

Product Compliance:
 ASME A112.18.1 / CSA B125.1
 NSF 61 Exempt (Non-Potable)
 NSF 372 (Low Lead Content)
 ANSI A117.1 (ADA)
 ASSE 1001 (VB)



T&S BRASS AND BRONZE WORKS, INC.

2 Saddleback Cove / P.O. Box 1088
Travelers Rest, SC 29690

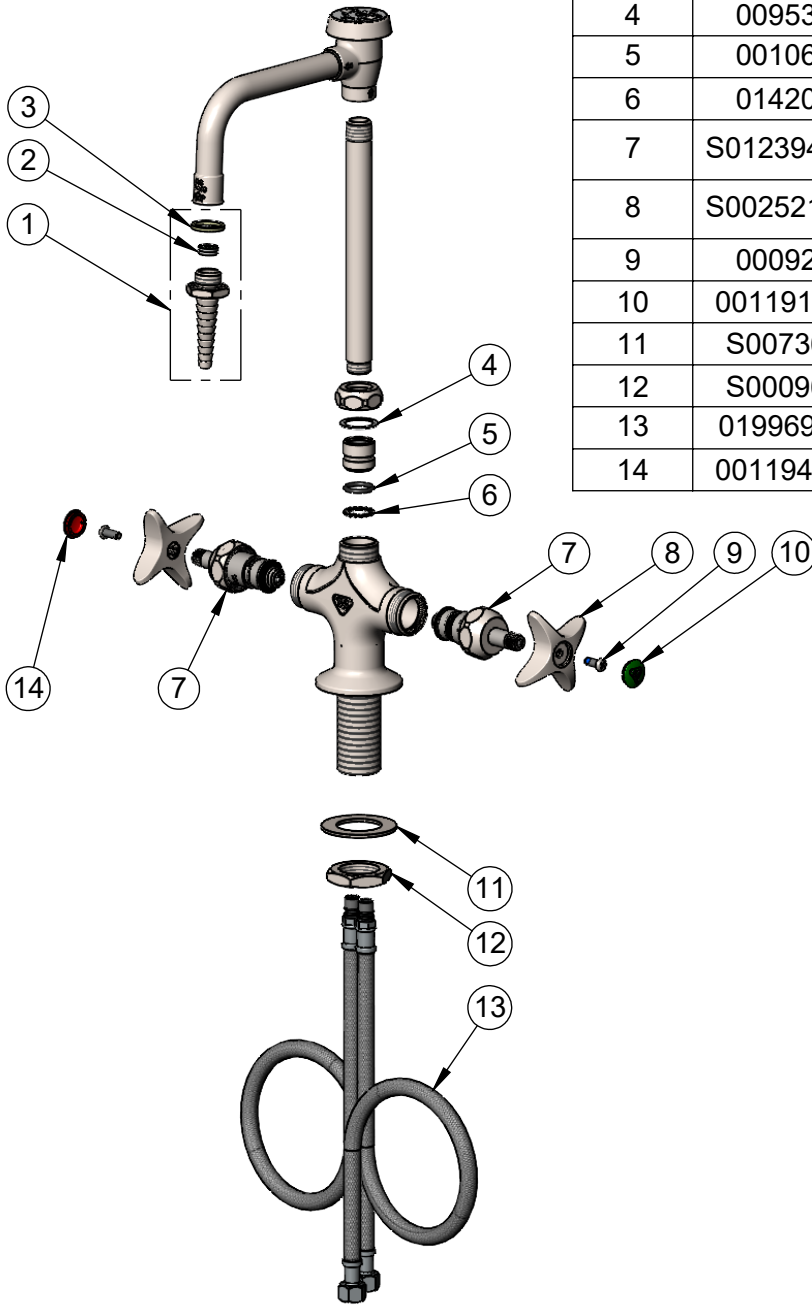
Model No.

SL-5700-08CR

Item No.

Travelers Rest, SC: 800-476-4103 • Simi Valley, CA: 800-423-0150 • Fax: 864-834-3518 • www.tsbrass.com

| ITEM NO. | SALES NO. | DESCRIPTION |
|----------|--------------|---|
| 1 | S-0198-FD05 | Stainless Steel Serrated Tip w/ 0.5 GPM Flow Disc & Washer |
| 2 | FD05 | Flow Disc, 0.5 GPM [1.9 L/min.] (Lime) |
| 3 | 001051-45 | Washer |
| 4 | 009538-45 | Swivel Washer |
| 5 | 001065-45 | O-Ring |
| 6 | 014200-45 | Star Washer, Anti-Rotation |
| 7 | S012394-30NS | Stainless Steel Quarter-Turn Cerama Cartridge w/ Check Valve, RTC |
| 8 | S002521-30NS | 4-Arm Handle (New Style), Stainless Steel |
| 9 | 000925-45 | Lab Handle Screw |
| 10 | 001191-45NS | Green "CW" Lab Button Index |
| 11 | S007365-20 | Lock Washer |
| 12 | S000965-20 | Lock Nut |
| 13 | 019969-45TL | 19" Flexible Supply Hose (2), Tin Lined |
| 14 | 001194-45NS | Red "HW" Lab Button Index |



Product Specifications:

Single Hole Stainless Steel Deck Mount Mixing Faucet, Quarter-Turn Cerama Cartridges w/ Check Valves, 4-Arm Handles, Swivel Vacuum Breaker Nozzle, Serrated Tip w/ 0.5 GPM Flow Control & 19" Flexible Stainless Steel Tin Lined Braided Supply Hoses

Product Compliance:

ASME A112.18.1 / CSA B125.1
NSF 61 Exempt (Non-Potable)
NSF 372 (Low Lead Content)
ANSI A117.1 (ADA)
ASSE 1001 (VB)