



T&S BRASS AND BRONZE WORKS, INC.
 2 Saddleback Cove / P.O. Box 1088
 Travelers Rest, SC 29690

Model No.
SL-5700-04CRWH4

Item No.

Travelers Rest, SC: 800-476-4103 • Simi Valley, CA: 800-423-0150 • Fax: 864-834-3518 • www.tsbrass.com

This Space for Architect/Engineer Approval

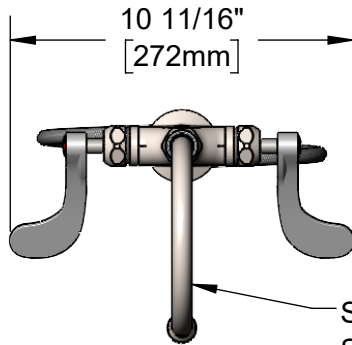
Job Name _____ Date _____

Model Specified _____ Quantity _____

Customer/Wholesaler _____

Contractor _____

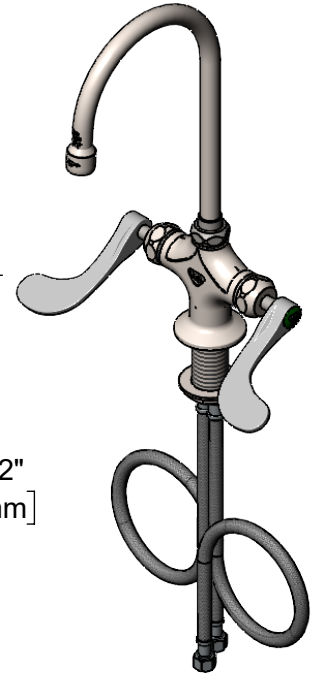
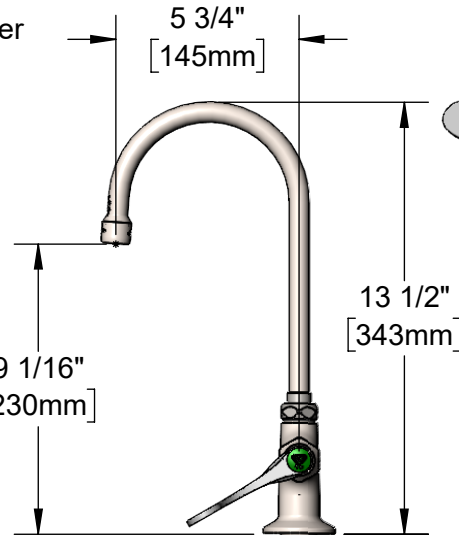
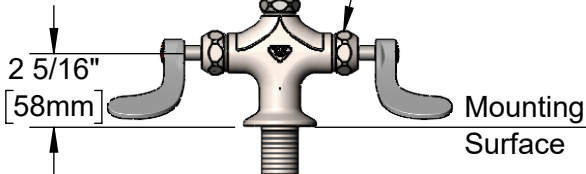
Architect/Engineer _____



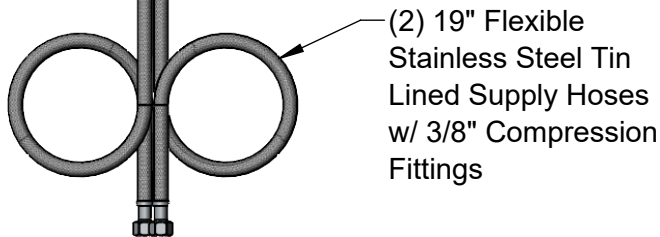
EVERSTEEL

S133X-A22
 Stainless Steel 5 3/4" Swivel
 Gooseneck w/ 2.2 GPM
 Stainless Steel Aerator.
 Converts to Rigid w/
 014200-45 Lock Washer
 (Included).

Stainless Steel
 Quarter-Turn Cerama
 Cartridges w/ Check
 Valves & Stainless
 Steel 4" Wrist Action
 Handles w/ Color
 Coded Indexes



1 15/16"
 [48mm]
 Maximum
 Thickness



Rough-In Requirement:
 Ø 1 1/2" [38mm] Mounting Hole

Product Specifications:
 Single Hole Stainless Steel Deck Mount Mixing Faucet, Quarter-Turn Cerama
 Cartridges w/ Check Valves, 4" Wrist Action Handles, Swivel/Rigid Gooseneck
 w/ Serrated Tip Outlet & 19" Flexible Stainless Steel Tin Lined Braided
 Supply Hoses

Product Compliance:
 ASME A112.18.1 / CSA B125.1
 NSF 61 Exempt (Non-Potable)
 NSF 372 (Low Lead Content)
 ANSI A117.1 (ADA)



T&S BRASS AND BRONZE WORKS, INC.

2 Saddleback Cove / P.O. Box 1088
Travelers Rest, SC 29690

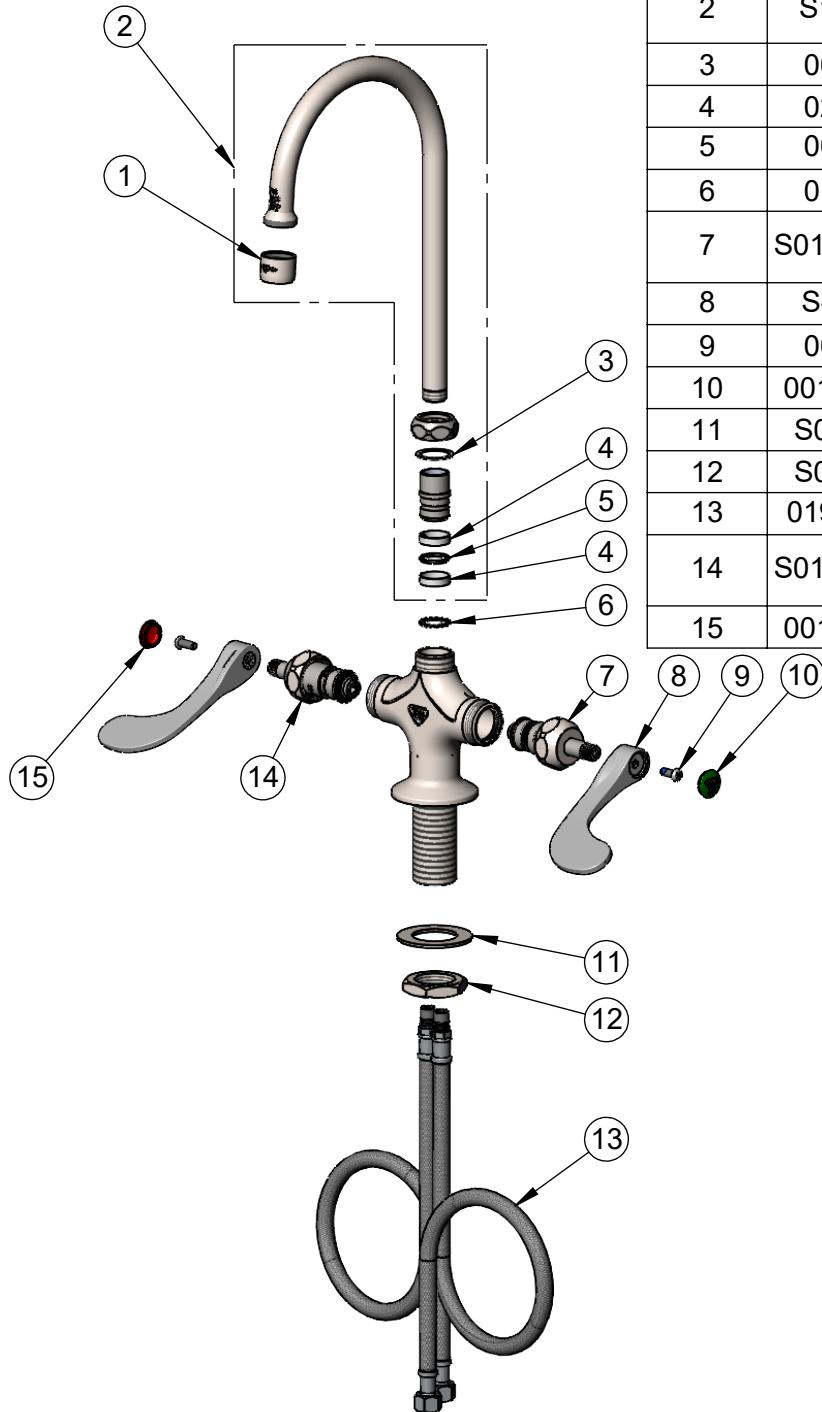
Model No.

SL-5700-04CRWH4

Item No.

Travelers Rest, SC: 800-476-4103 • Simi Valley, CA: 800-423-0150 • Fax: 864-834-3518 • www.tsbrass.com

ITEM NO.	SALES NO.	DESCRIPTION
1	S-0199-01	2.2 GPM Aerator, 55/64-27 UN Female
2	S133X-A22	5 3/4" SS Swivel Gooseneck w/ 2.2 GPM SS Aerator
3	009538-45	Swivel Washer
4	021087-45	Swivel Sleeves (2)
5	001074-45	O-Ring
6	014200-45	Star Washer, Anti-Rotation
7	S012395-30NS	Stainless Steel Quarter-Turn Cerama Cartridge w/ Check Valve, LTC
8	S-WH4-NS	Wrist Action Handle - New Style
9	000925-45	Lab Handle Screw
10	001191-45NS	Green "CW" Lab Button Index
11	S007365-20	Lock Washer
12	S000965-20	Lock Nut
13	019969-45TL	19" Flexible Supply Hose (2), Tin Lined
14	S012394-30NS	Stainless Steel Quarter-Turn Cerama Cartridge w/ Check Valve, RTC
15	001194-45NS	Red "HW" Lab Button Index



Product Specifications:
Single Hole Stainless Steel Deck Mount Mixing Faucet, Quarter-Turn Cerama Cartridges w/ Check Valves, 4" Wrist Action Handles, Swivel/Rigid Gooseneck w/ Serrated Tip Outlet & 19" Flexible Stainless Steel Tin Lined Braided Supply Hoses

Product Compliance:
ASME A112.18.1 / CSA B125.1
NSF 61 Exempt (Non-Potable)
NSF 372 (Low Lead Content)
ANSI A117.1 (ADA)