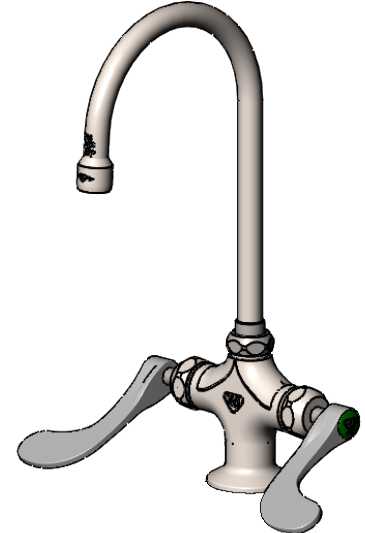
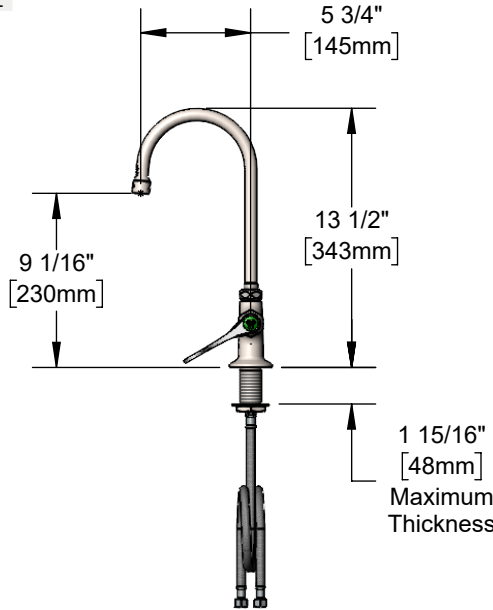
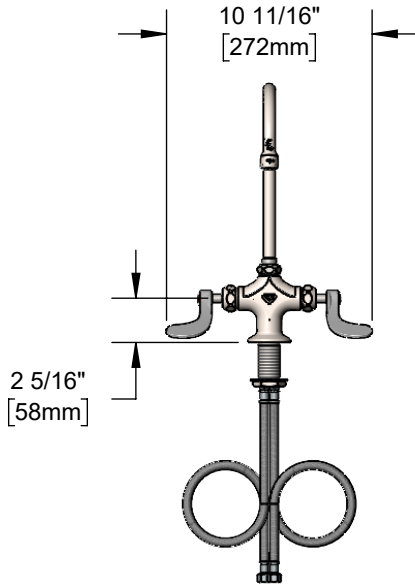




Architect/Engineering Specifications:

Single hole stainless steel deck mount mixing faucet, stainless steel 5 3/4" swivel gooseneck with 2.2 GPM stainless steel aerator, stainless steel ceramic cartridges with check valves, stainless steel 4" wrist action handles and 19" flexible stainless steel tin lined supply hoses with 3/8" O.D. compression connections. Certified to ASME A112.18.1 / CSA B125.1 and NSF 372. Meets ADA ANSI/ICC A117.1 requirements.

Job Name _____
 Model Specified _____ Quantity _____
 Variations Specified _____
 Date _____



Features & Benefits:

- Single hole deck mount mixing faucet w/ stainless steel body
- Stainless steel 5 3/4" swivel/rigid gooseneck
- 2.2 GPM stainless steel aerator, Series 1 (S-0199-01)
- Stainless steel quarter-turn Cerama cartridges with check valves to prevent cross flow of water
- Stainless steel 4" wrist action handles w/ color coded indexes
- 19" flexible stainless steel tin lined supply hoses w/ 3/8" O.D. compression connections
- Material: Stainless steel body, tubular spout, cartridges, handles, and tin lined stainless steel hoses

Product Compliance:

- ASME A112.18.1 / CSA B125.1
- NSF 61 Exempt (Non-Potable)
- NSF 372 (Low Lead Content)
- ANSI A117.1 (ADA)

Warranty: Lifetime (Limited)

Performance Data:

- Pressure: 20 - 125 psi [1.38 - 8.62 bar]
- Temperature: 40°F - 140°F [4.44°C - 60°C]
- Flow Rate: 2.2 GPM [8.33 L/min] @ 60 psi [4.14 bar]



ADA Compliant

Optional SS Handles

- 4" Wrist Action (Standard)
- Lever
- 4-Arm

