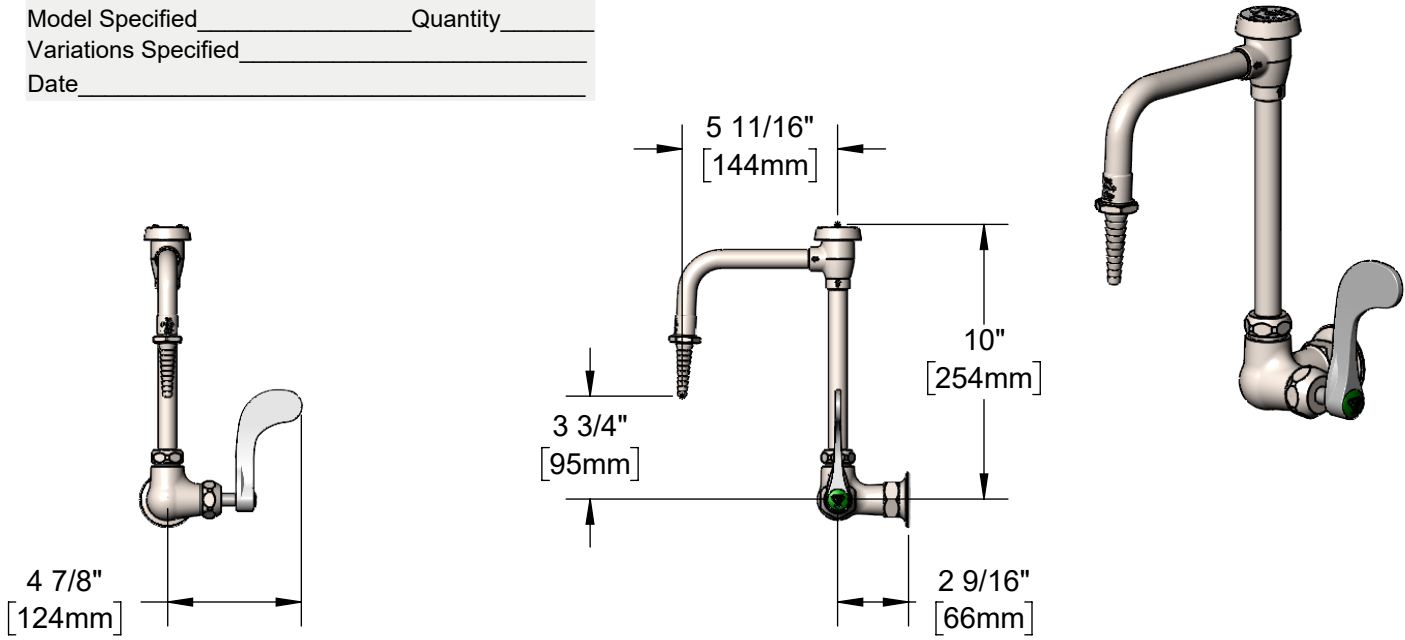




Architect/Engineering Specifications:

Single hole stainless steel single temperature wall mount faucet, stainless steel swivel/rigid vacuum breaker nozzle with serrated tip outlet with 0.5 GPM flow control, stainless steel ceramic cartridge with check valve, stainless steel 4" wrist action handle and 1/2" NPT female inlet. Certified to ASME A112.18.1 / CSA B125.1, NSF 61-Section 9 and NSF 372. Meets ADA ANSI/ICC A117.1 requirements.

Job Name _____
 Model Specified _____ Quantity _____
 Variations Specified _____
 Date _____



Features & Benefits:

- Single hole single temperature wall mount faucet w/ stainless steel body
- Stainless steel swivel/rigid vacuum breaker nozzle
- Stainless steel serrated tip outlet w/ 0.5 GPM flow control & washer
- Stainless steel quarter-turn Cerama cartridge with check valve
- Stainless steel 4" wrist action handle w/ green index
- 1/2" NPT female inlet
- Material: Stainless steel body, tubular spout, cartridge and handle

Product Compliance:

- ASME A112.18.1 / CSA B125.1
- NSF 61 - Section 9
- NSF 372 (Low Lead Content)
- ANSI A117.1 (ADA)



Warranty: Lifetime (Limited)



ADA Compliant

Performance Data:

- Pressure: 20 - 125 psi [1.38 - 8.62 bar]
- Temperature: 40°F - 140°F [4.44°C - 60 °C]
- Flow Rate: 0.5 GPM [1.89 L/min] @ 60 psi [4.14 bar]

Optional SS Handles

- 4" Wrist Action (Standard)
- Lever
- 4-Arm

