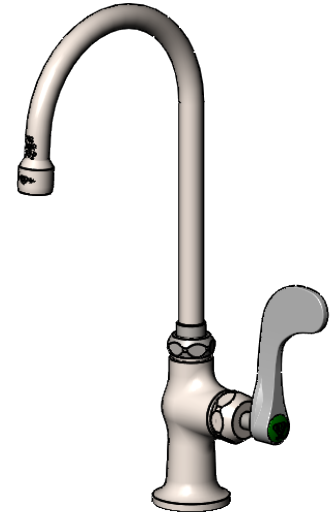
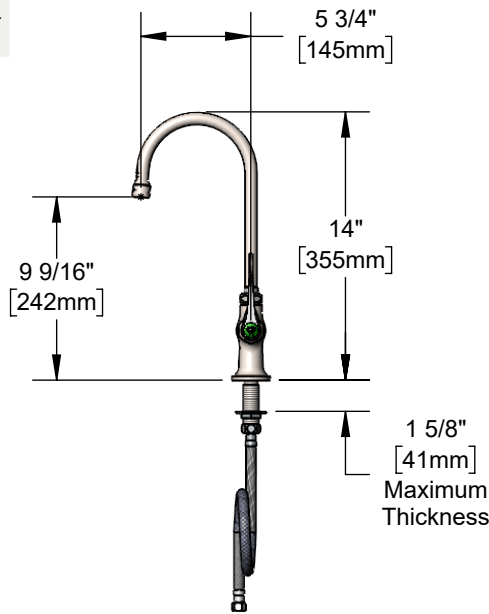
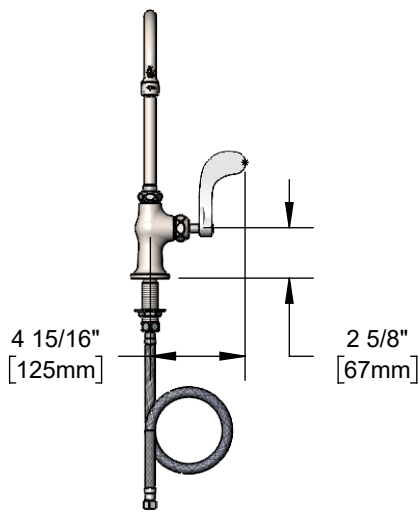




Architect/Engineering Specifications:

Single hole stainless steel single temperature deck mount faucet, stainless steel 5 3/4" swivel/rigid gooseneck with 2.2 GPM stainless steel aerator, stainless steel ceramic cartridge with check valve, stainless steel 4" wrist action handle and 24" flexible stainless steel tin lined supply hose with 3/8" O.D. compression connection. Certified to ASME A112.18.1 / CSA B125.1 and NSF 372. Meets ADA ANSI/ICC A117.1 requirements.

Job Name _____
 Model Specified _____ Quantity _____
 Variations Specified _____
 Date _____



Features & Benefits:

- Single hole single temperature deck mount faucet w/ stainless steel body
- Stainless steel 5 3/4" swivel/rigid gooseneck
- 2.2 GPM stainless steel aerator, Series 1 (S-0199-01)
- Stainless steel quarter-turn Cerama cartridge with check valve
- Stainless steel 4" wrist action handles w/ green index
- 24" flexible stainless steel tin lined supply hose w/ 3/8" O.D. compression connection
- Material: Stainless steel body, tubular spout, cartridge, handle, and tin lined stainless steel hose

Product Compliance:

- ASME A112.18.1 / CSA B125.1
- NSF 61 Exempt (Non-Potable)
- NSF 372 (Low Lead Content)
- ANSI A117.1 (ADA)

Warranty: Lifetime (Limited)

Performance Data:

- Pressure: 20 - 125 psi [1.38 - 8.62 bar]
- Temperature: 40°F - 140°F [4.44°C - 60°C]
- Flow Rate: 2.2 GPM [8.3 L/min] @ 60 psi [4.14 bar]



ADA Compliant

Optional SS Handles

- 4" Wrist Action (Standard)
- Lever
- 4-Arm

