



Architect/Engineering Specifications:

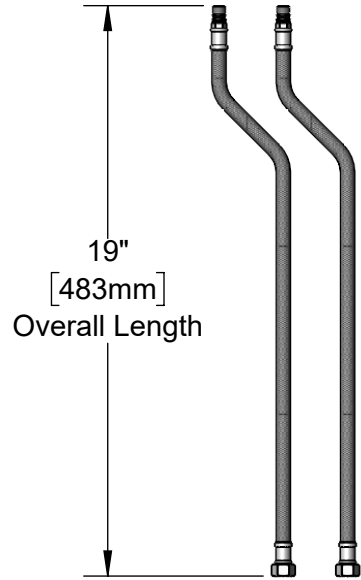
Tin lined 19" flexible stainless steel supply hose with 3/8" compression female swivel nut inlet. Certified to NSF 372.

Job Name _____

Model Specified _____ Quantity _____

Variations Specified _____

Date _____



Features & Benefits:

- 19" flexible stainless steel hose
- 3/8" compression female swivel nut inlets
- Tin-lined for deionized or reverse osmosis water
- Hose fits all T&S single hole mount mixing faucets
- Includes set of (2) hoses
- Material: Stainless steel outer braid

Product Compliance:

- NSF 372 (Low Lead Content)



Warranty: One Year (Limited)



Performance Data:

- N/A

