



T&S BRASS AND BRONZE WORKS, INC.

2 Saddleback Cove / P.O. Box 1088
Travelers Rest, SC 29690

Model No.

UMPU-6DLN-00

Item No.

Travelers Rest, SC: 800-476-4103 • Simi Valley, CA: 800-423-0150 • Fax: 864-834-3518 • www.tsbrass.com

This Space for Architect/Engineer Approval

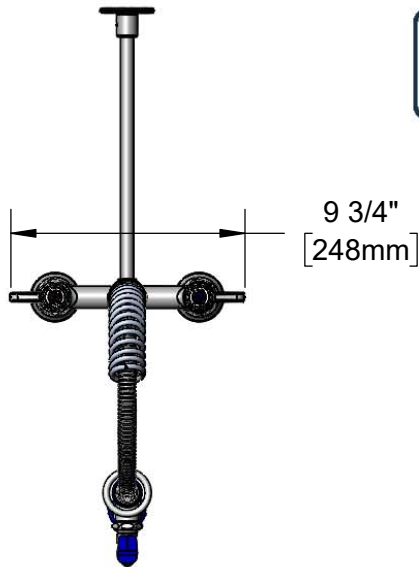
Job Name _____ Date _____

Model Specified _____ Quantity _____

Customer/Wholesaler _____

Contractor _____

Architect/Engineer _____



EB-0024-H
24" Stainless Steel
Hose w/ Polyurethane
Inner Hose & Handle

* 8 7/8"
[226mm]

EB-0107-C
0.65 GPM
Blue Low Flow
Spray Valve

* 24 3/8"
[618mm]

Finger
Hook

B-0109-03
12" Adjustable
Wall Bracket

Items Not Shown
For Clarity

EasyInstall Lock Nut
& Bushing

Quarter-Turn
Ceramic Cartridges w/
Euro Lever Handles
& Color Coded
Screws

145X
3/8" NPT x
12" Riser

Mounting
Surface

* 6 15/16"
[175mm]

6"
[152mm]

1/2" BSPP
Male Inlets

Ø 2"
[52mm]

1 9/16"
[39mm]
Maximum
Thickness

Rough-In Requirement:
(2) Ø 1" [25mm] Mounting Holes

* Dimensions Will Vary ±1" Each Installation

Product Specifications:

Pre-Rinse Unit: 6" Deck Mount Mixing Faucet, Quarter-Turn Ceramic Cartridges, Euro Lever Handles, Compact Spring & 24" Flexible Stainless Steel Hose, Low Flow 0.65 GPM Spray Valve, Integral Check Valves, 12" Wall Bracket & 1/2" BSPP Male Inlets

Product Compliance:

WRAS Approved Product (UK)



T&S BRASS AND BRONZE WORKS, INC.

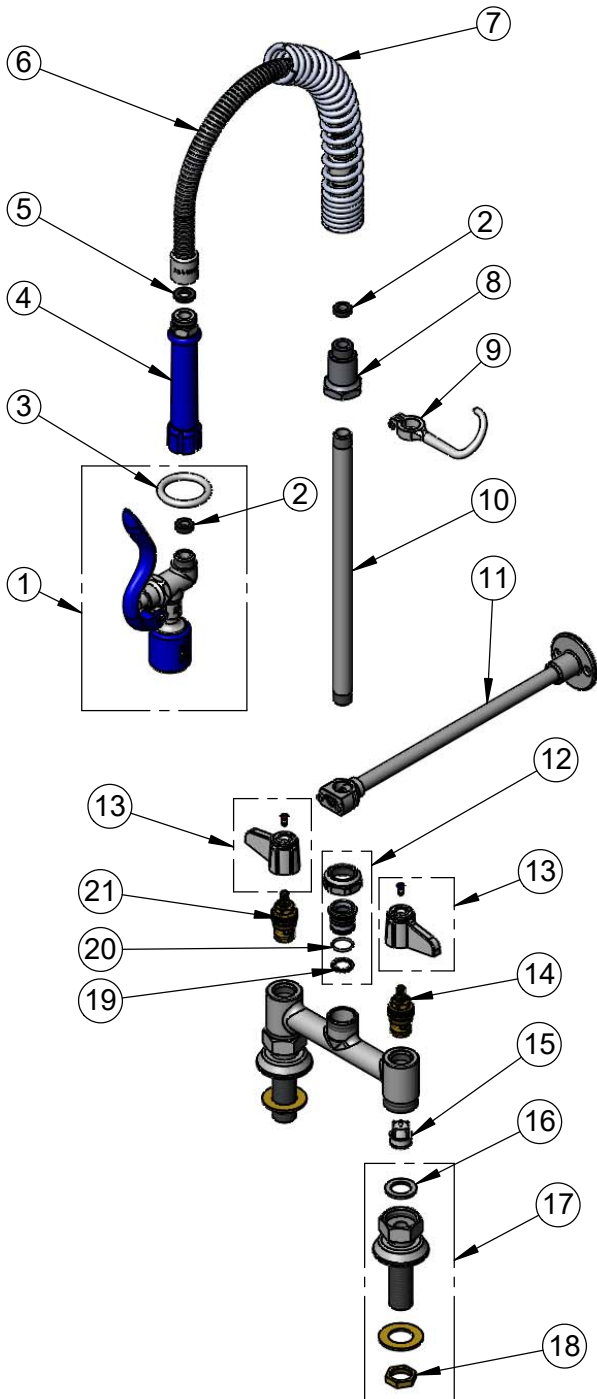
2 Saddleback Cove / P.O. Box 1088
Travelers Rest, SC 29690

Model No.

UMPU-6DLN-00

Item No.

Travelers Rest, SC: 800-476-4103 • Simi Valley, CA: 800-423-0150 • Fax: 864-834-3518 • www.tsbrass.com



ITEM NO.	SALES NO.	DESCRIPTION
1	EB-0107-C	0.65 GPM Blue Low Flow Spray Valve
2	010476-45	#27 Washer
3	000907-45	Spray Valve Hold Down Ring
4	011482-40	Blue Grip Handle
5	001014-45	Washer, Hose Barrel
6	B-0024-H2A	24" Flexible Stainless Steel Hose Less Handle
7	016795-45	Compact Spring
8	000821-40	Spring Body
9	004R	Finger Hook
10	145X	Nipple, 3/8" NPT x 12"
11	B-0109-03	12" Wall Bracket
12	EU-EZ-K	Euro EasyInstall Retro-Fit Kit
13	E-HDL-L	EU Lever Handle & Blue/Red Screws
14	013788-45	equip, Quarter-Turn Ceramic Cartridge, LTC
15	013840-45	20mm Check Valve
16	010569-45	Washer, Inlet Flange Coupling (UK)
17	011473-40	UK Inlet Flange
18	002954-45	Shank Lock Nut
19	014200-45	Star Washer, Anti-Rotation
20	001062-45	O-Ring
21	013787-45	equip, Quarter-Turn Ceramic Cartidge, RTC

Product Specifications:

Pre-Rinse Unit: 6" Deck Mount Mixing Faucet, Quarter-Turn Ceramic Cartridges, Euro Lever Handles, Compact Spring & 24" Flexible Stainless Steel Hose, Low Flow 0.65 GPM Spray Valve, Integral Check Valves, 12" Wall Bracket & 1/2" BSPP Male Inlets

Product Compliance:

WRAS Approved Product (UK)