



Stainless Steel Retractable Hose Reels

EU-7143

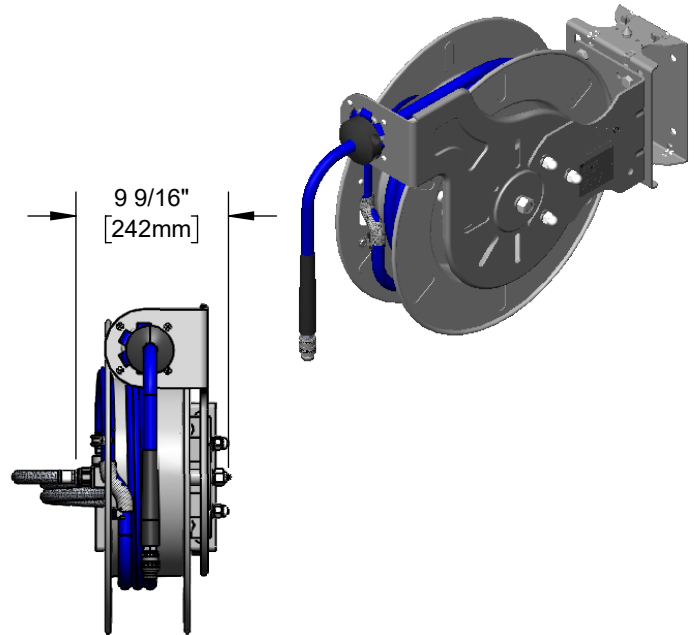
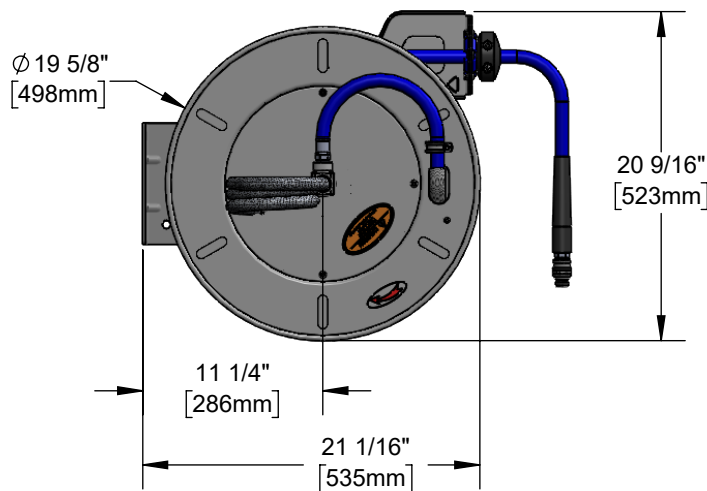
TAG:

Open Stainless Steel Hose Reel

Architect/Engineering Specifications:

Open stainless steel hose reel, chrome plated brass quick disconnect with 1/2" NPT male outlet, 1/2" x 50' [12.7mm x 15.24m] heavy-duty non-marking hose, ratcheting system, multi-fit bracket, adjustable hose bumper, easy install stainless steel wall bracket with reel-to-bracket mounting hardware and 1.5m flexible stainless steel supply hose with 1/2" BSPF female inlet. CE Certified Mark - EU Directives.

Job Name _____
 Model Specified _____ Quantity _____
 Variations Specified _____
 Date _____

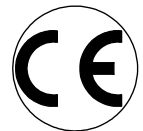


Features & Benefits:

- Open stainless steel hose reel
- Chrome plated brass quick disconnect with 1/2" NPT male outlet
- 1/2" x 50' [12.7mm x 15.24m] heavy-duty non-marking hose rated to 300 PSI [20.68 bar]
- Ratcheting system holds the length of hose until a slight tug to retract automatically
- 1.5m flexible stainless steel supply hose with 1/2" BSPF female inlet
- Adjustable hose bumper
- EasyInstall stainless steel hose reel swing bracket w/ reel-to-bracket mounting hardware
- Multi-fit bracket for wall, ceiling or under counter mounting
- Material: Stainless steel open reel, supply hose and swing bracket & chrome plated brass quick disconnect

Product Compliance:

- NSF 61 Exempt (Non-Potable)
- CE Certified Mark - EU Directives



Warranty: Two Year (Limited)

- Hose: One Year (Limited)

Performance Data:

- Pressure: 20 - 125 psi [1.38 - 8.62 bar]
- Temperature: 40°F - 200°F [4.44°C - 93.33°C]
- Flow Rate: 7.89 GPM [29.87 l/min] @ 60 psi [4.14 bar]

Optional Hose Reel Spray Valve

- EMV-0522-24 Brass Front Trigger Water Gun

Optional Hose Reel Multi-Fit Brackets

1/2" [12.7mm] Stainless Steel Hose Reel

- G016652-45 Deck Mount Pivot Bracket
- G018477-45 Stainless Steel Table Leg Swing Bracket



T&S BRASS AND BRONZE WORKS, INC.



• 2 Saddleback Cove • Travelers Rest, SC 29690
 Ph 800-476-4103 • Fax 864-834-3518
 • Simi Valley, CA • Ph 800-423-0150 • www.tsbrass.com

Date: 05/31/23