



T&S BRASS AND BRONZE WORKS, INC.

2 Saddleback Cove / P.O. Box 1088
Travelers Rest, SC 29690

Model No.

UMPM-2DLN-00

Item No.

Travelers Rest, SC: 800-476-4103 • Simi Valley, CA: 800-423-0150 • Fax: 864-834-3518 • www.tsbrass.com

This Space for Architect/Engineer Approval

Job Name _____ Date _____

Model Specified _____ Quantity _____

Customer/Wholesaler _____

Contractor _____

Architect/Engineer _____



5 9/16"
[141mm]



EB-0024-H
24" Stainless Steel
Hose w/ Polyurethane
Inner Hose & Handle

* 8 7/8"
[226mm]

EB-0107-J
1.07 GPM
Spray Valve
(Blue)



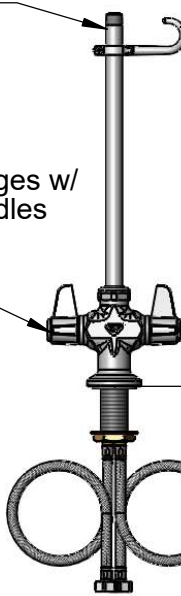
B-0109-03
12" Adjustable
Wall Bracket

Items Not Shown
For Clarity

Finger
Hook

*24 11/16"
[627mm]

Quarter-Turn
Ceramic Cartridges w/
Euro Lever Handles
& Color Coded
Screws



Mounting
Surface

EasyInstall Lock Nut
& Bushing

* 7 1/4"
[184mm]

19 11/16" [500mm]
Flexible Supply Hoses
w/ G1/2 (1/2" BSPP)
Female Swivel Nut
Fittings

1 7/8"
[48mm]
Maximum
Thickness



020465-45
Check Valve
Adapters (Included)

Rough-In Requirement:
Ø 1 1/2" [38mm] Mounting Hole

* Dimensions Will Vary ±1" Each Installation

Product Specifications:

Pre-Rinse Unit: Single Deck Mount Mixing Faucet, Quarter-Turn Ceramic Cartridges, Euro Lever Handles, Compact Spring & Flexible Stainless Steel Hose, 1.07 GPM Spray Valve (Blue), 12" Wall Bracket & (2) 19 11/16" Supply Hose Inlets w/ G1/2 (1/2" BSPP) Female Swivel Nut Fittings

Product Compliance:

WRAS Approved Product (UK)



T&S BRASS AND BRONZE WORKS, INC.

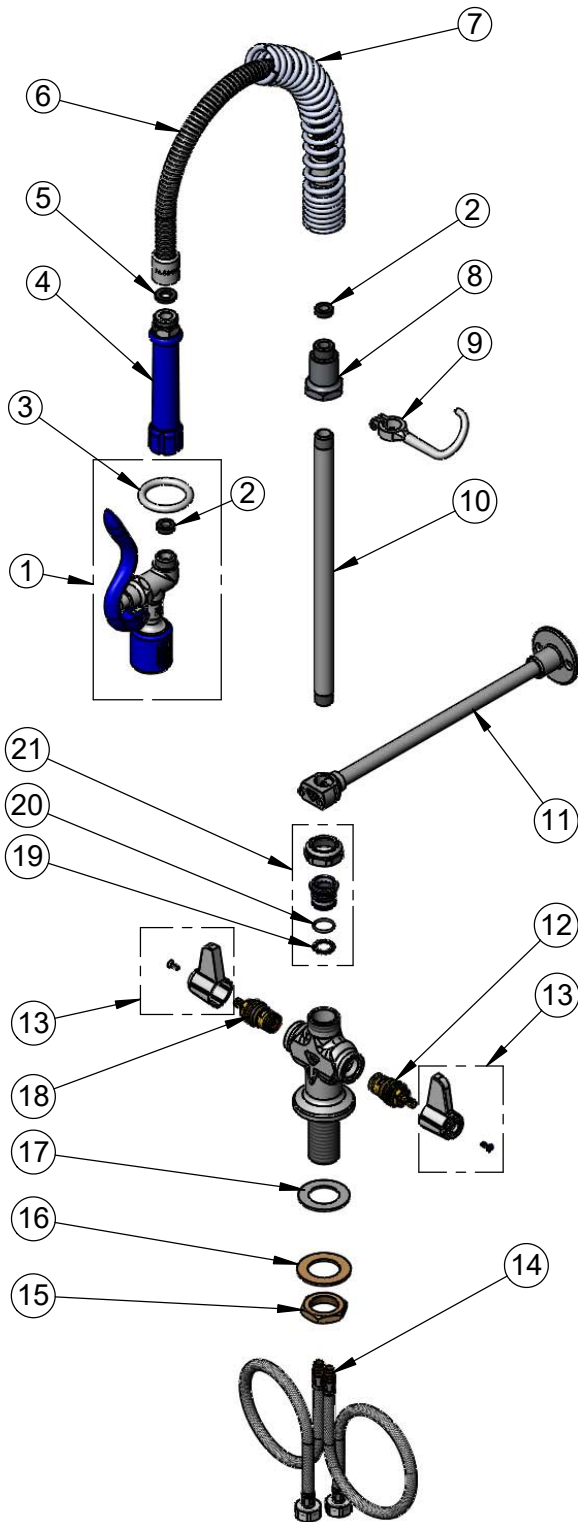
2 Saddleback Cove / P.O. Box 1088
Travelers Rest, SC 29690

Model No.

UMPM-2DLN-00

Item No.

Travelers Rest, SC: 800-476-4103 • Simi Valley, CA: 800-423-0150 • Fax: 864-834-3518 • www.tsbrass.com



ITEM NO.	SALES NO.	DESCRIPTION
1	EB-0107-J	1.07 GPM Blue Spray Valve
2	010476-45	#27 Washer
3	000907-45	Spray Valve Hold Down Ring
4	011482-40	Blue Grip Handle
5	001014-45	Washer, B-0100 Hose Barrel
6	B-0024-H2A	24" Flex Hose Less Handle
7	016795-45	Compact Spring
8	000821-40	Spring Body
9	004R	Finger Hook
10	145X	Nipple, 3/8" NPT x 12"
11	B-0109-03	12" Wall Bracket
12	013788-45	equip, Quarter-Turn Ceramic Cartridge, LTC
13	E-HDL-L	EU Lever Handle & Blue/Red Screws
14	012436-45DR	Flexible Connector Hose
15	000965-45	Lock Nut
16	002290-45	Lock Washer
17	014612-45	Deck Seal
18	013787-45	equip, Quarter-Turn Ceramic Cartridge, RTC
19	014200-45	Star Washer, Anti-Rotation
20	001062-45	O-Ring
21	EU-EZ-K	Euro EasyInstall Retro-Fit Kit
22	020465-45	Check Valve Adapter

Product Specifications:

Pre-Rinse Unit: Single Deck Mount Mixing Faucet, Quarter-Turn Ceramic Cartridges, Euro Lever Handles, Compact Spring & Flexible Stainless Steel Hose, 1.07 GPM Spray Valve (Blue), 12" Wall Bracket & (2) 19 11/16" Supply Hose Inlets w/ G1/2 (1/2" BSPP) Female Swivel Nut Fittings

Product Compliance:

WRAS Approved Product (UK)