



**T&S BRASS AND BRONZE WORKS, INC.**  
 2 Saddleback Cove / P.O. Box 1088  
 Travelers Rest, SC 29690

Model No.  
**EE-0107**

Item No.

Travelers Rest, SC: 800-476-4103 • Simi Valley, CA: 800-423-0150 • Fax: 864-834-3518 • www.tsbrass.com

**EVERSTEEL**

This Space for Architect/Engineer Approval

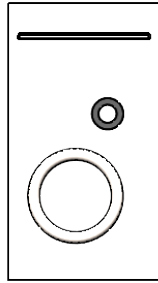
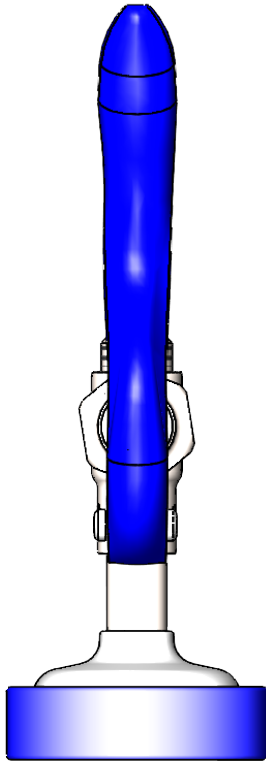
Job Name \_\_\_\_\_ Date \_\_\_\_\_

Model Specified \_\_\_\_\_ Quantity \_\_\_\_\_

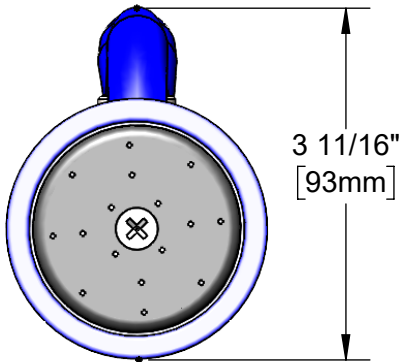
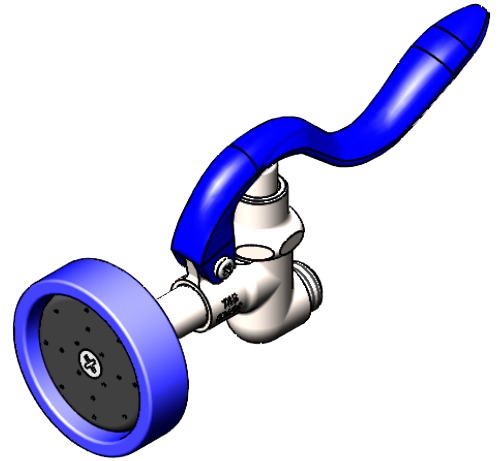
Customer/Wholesaler \_\_\_\_\_

Contractor \_\_\_\_\_

Architect/Engineer \_\_\_\_\_

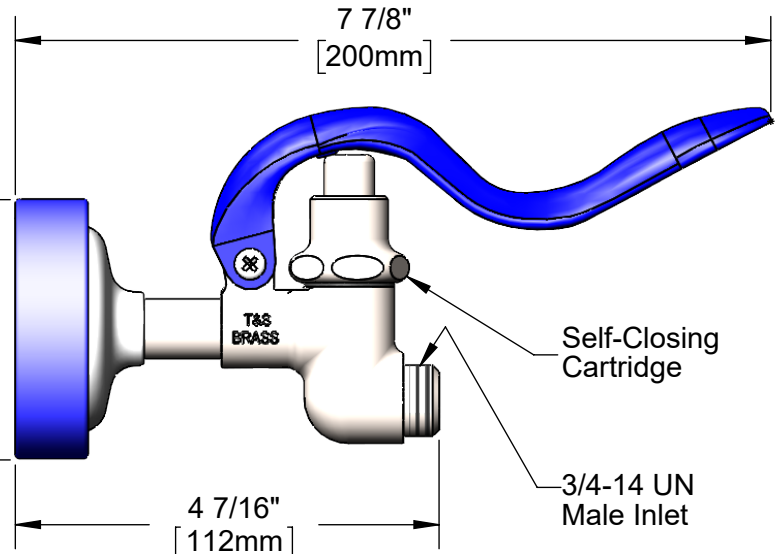


Hose Washer &  
 Hold Down Ring  
 (Included)



3 11/16"  
 [93mm]

Ø 2 3/4"  
 [70mm]



7 7/8"  
 [200mm]

4 7/16"  
 [112mm]

Self-Closing  
 Cartridge

3/4-14 UN  
 Male Inlet

Product Specifications:  
 Pre-Rinse Self-Closing Stainless Steel Spray Valve w/ Rubber Bumper &  
 High Flow Black Spray Face

Product Compliance:

EN 200  
 KTW-BWGL  
 4MS Part B



# T&S BRASS AND BRONZE WORKS, INC.

2 Saddleback Cove / P.O. Box 1088  
Travelers Rest, SC 29690

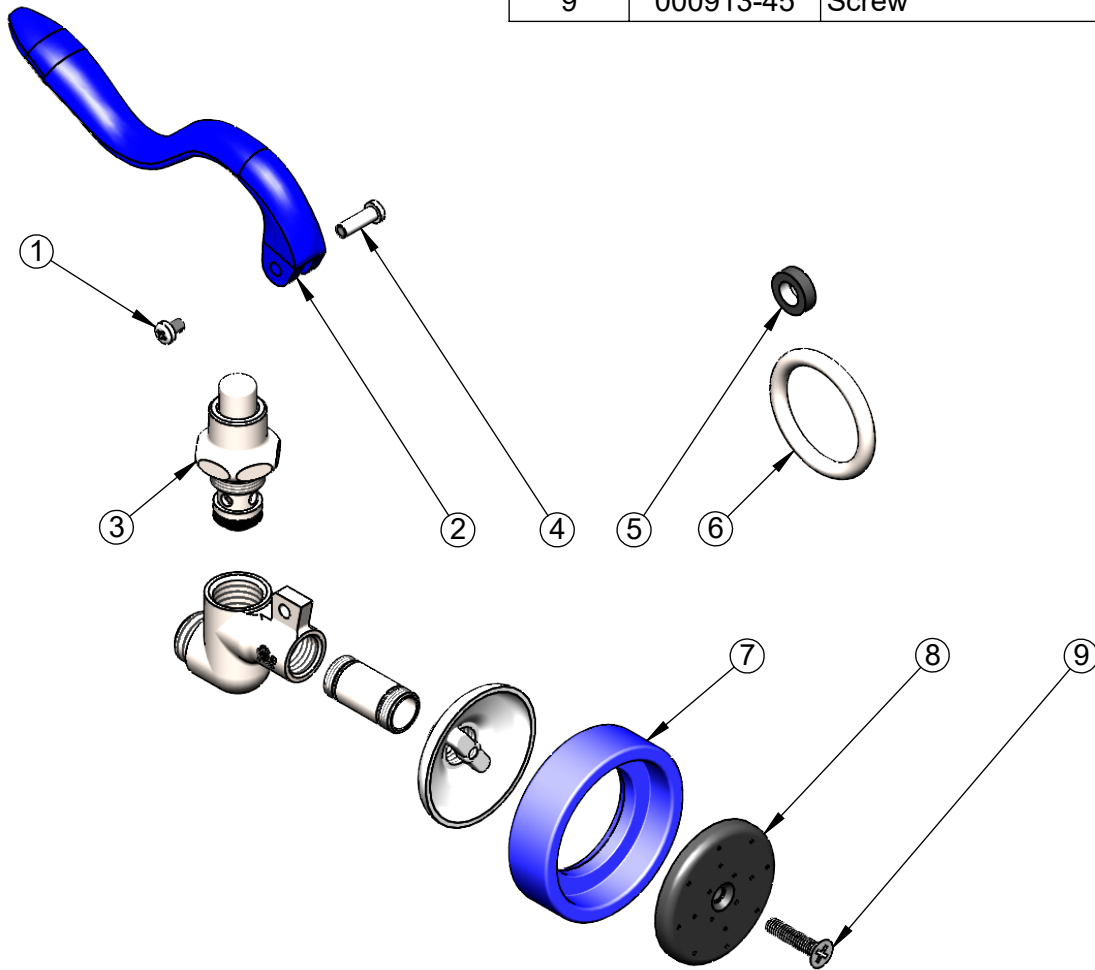
Model No.

**EE-0107**

Item No.

Travelers Rest, SC: 800-476-4103 • Simi Valley, CA: 800-423-0150 • Fax: 864-834-3518 • www.tsbrass.com

ITEM NO.	SALES NO.	DESCRIPTION
1	003199-45	Spray Valve Handle Screw
2	011454-45	Spray Valve Handle (Blue)
3	S010594-30	Spray Valve Bonnet
4	003198-45	Spray Valve Handle Nut
5	010476-45	#27 Washer
6	S000907-30	Spray Valve Hold Down Ring
7	011475-45	Sprayhead Ring, Blue
8	021243-45	Removable High Flow Black Spray Face
9	000913-45	Screw



**Product Specifications:**

Pre-Rinse Self-Closing Stainless Steel Spray Valve w/ Rubber Bumper & High Flow Black Spray Face

**Product Compliance:**

EN 200  
KTW-BWGL  
4MS Part B