



T&S BRASS AND BRONZE WORKS, INC.
 2 SADDLEBACK COVE / P.O. BOX 1088 / TRAVELERS REST, SC 29690
 PHONE 800-476-4103 - FAX 864- 834-3518



Sales No.

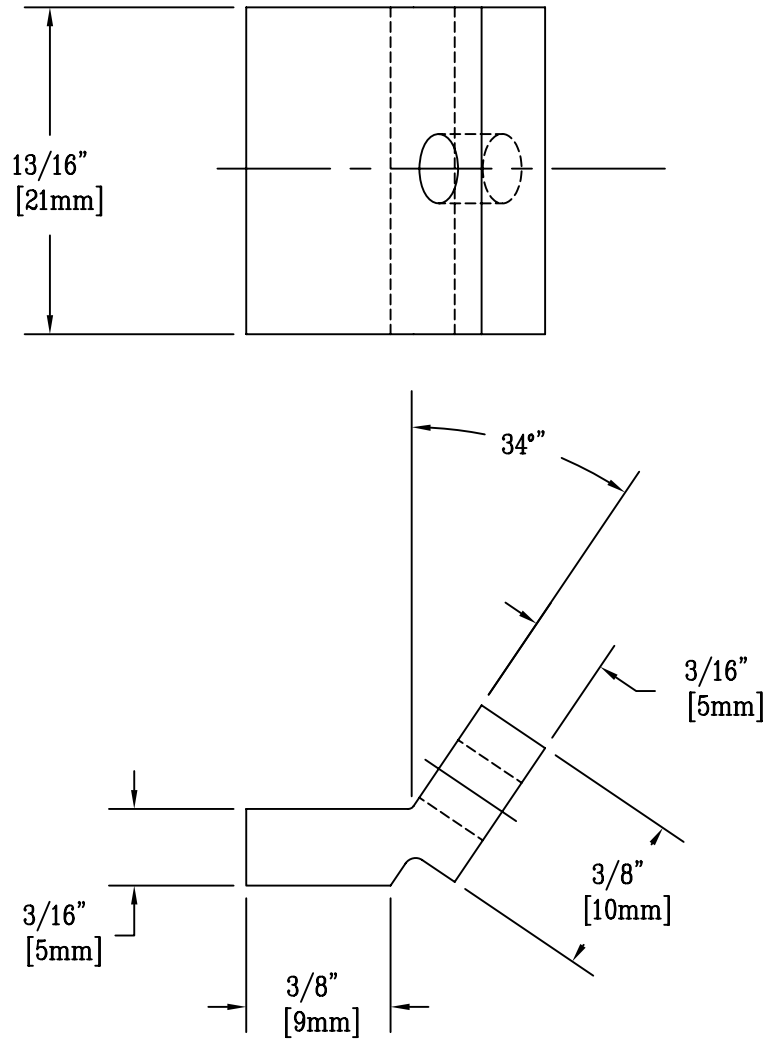
012513-10

**RELIABILITY
BUILT IN**

Job Name:

Architect/Engineer Approval:

Notes:



Material: Acetal

Product Description:
 B-0504 DPV Foot Pedal Pad (New Style)

Drawn: DHL	Checked MAV	Scale: 2:1
Approved JHB		Date: 2/14/08