



# T&S BRASS AND BRONZE WORKS, INC.

2 Saddleback Cove / P.O. Box 1088  
Travelers Rest, SC 29690

Model No.

**EU-6DP00-108H**

Item No.

Travelers Rest, SC: 800-476-4103 • Simi Valley, CA: 800-423-0150 • Fax: 864-834-3518 • www.tsbrass.com

This Space for Architect/Engineer Approval

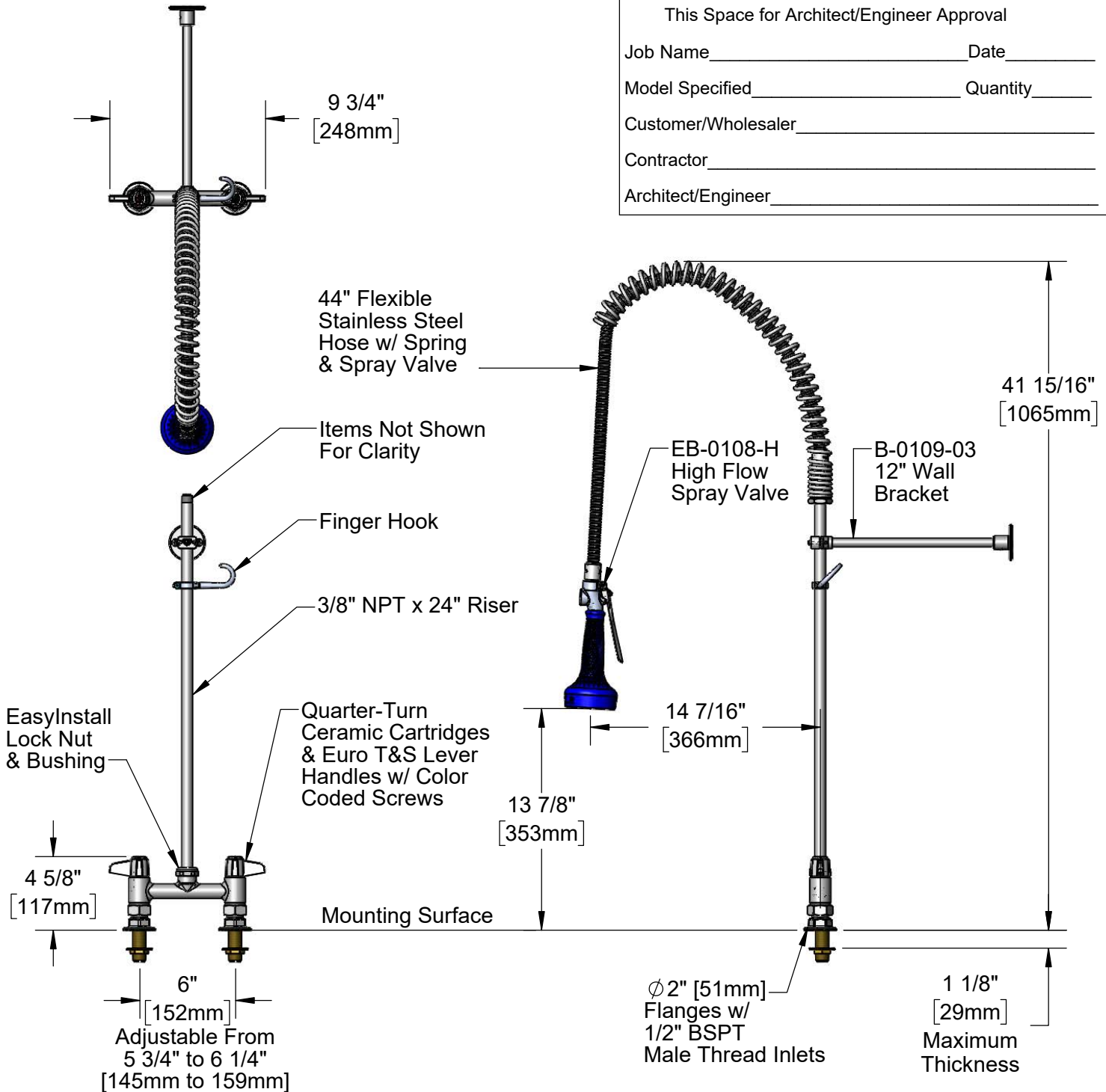
Job Name \_\_\_\_\_ Date \_\_\_\_\_

Model Specified \_\_\_\_\_ Quantity \_\_\_\_\_

Customer/Wholesaler \_\_\_\_\_

Contractor \_\_\_\_\_

Architect/Engineer \_\_\_\_\_



**Rough-In Requirement:**  
(2) Ø1" [25mm] Mounting Holes

**Product Specifications:**

International Pre-Rinse Unit: 6" Deck Mount Mixing Faucet, Quarter-Turn Ceramic Cartridges, Euro Lever Handles, 44" Flexible Stainless Steel Hose, High Flow Spray Valve, 12" Wall Bracket, Integral Check Valves & 1/2" BSPT Male Inlets

**Product Compliance:**

ASME A112.18.1 / CSA B125.1  
NSF 61 - Section 9  
NSF 372 (Low Lead Content)  
2019 DOE PRSV Non-Compliant



# T&S BRASS AND BRONZE WORKS, INC.

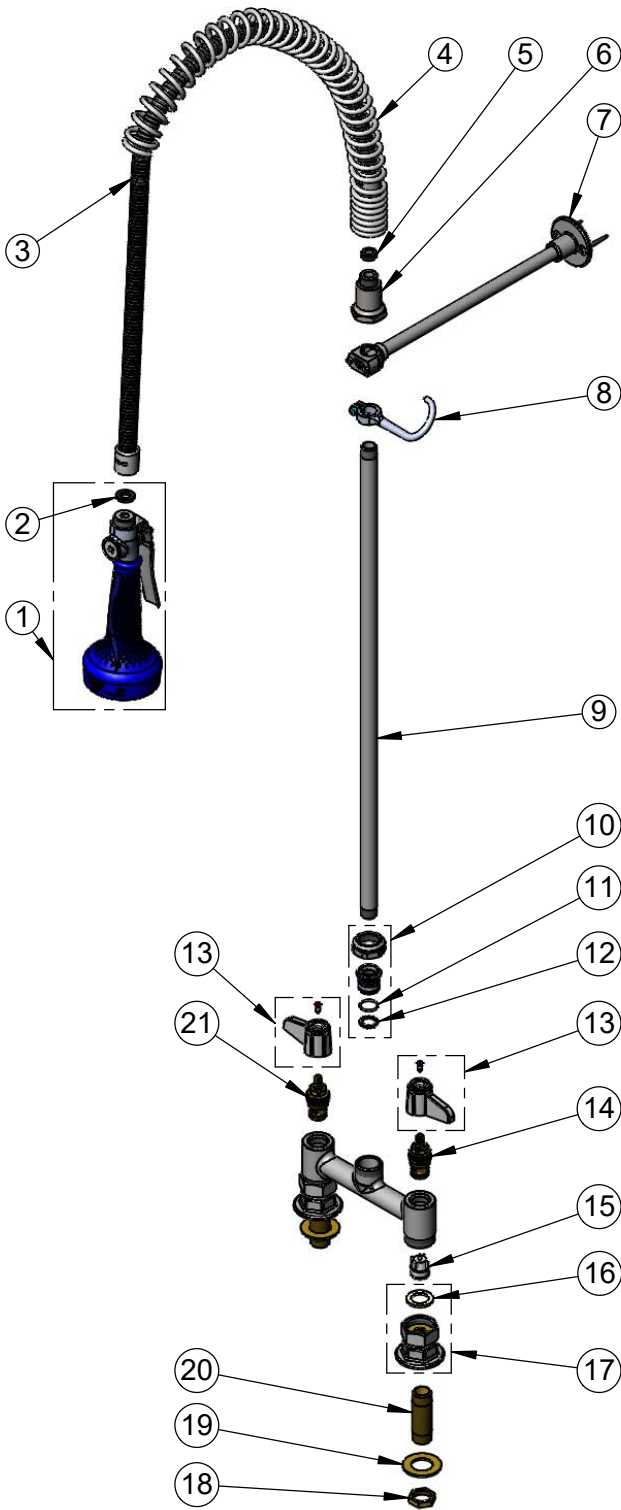
2 Saddleback Cove / P.O. Box 1088  
Travelers Rest, SC 29690

Model No.

**EU-6DP00-108H**

Item No.

Travelers Rest, SC: 800-476-4103 • Simi Valley, CA: 800-423-0150 • Fax: 864-834-3518 • www.tsbrass.com



ITEM NO.	SALES NO.	DESCRIPTION
1	EB-0108H	High Flow Spray Valve w/ Ergo-Grip
2	001014-45	Washer, B-0100 Hose Barrel
3	B-0044-H2A	44" Flexible Stainless Steel Hose, Less Handle
4	000888-45	EasyInstall Overhead Spring
5	010476-45	#27 Washer
6	000821-40	Spring Body
7	B-0109-03	12" Wall Bracket
8	004R	Finger Hook
9	000372-40	3/8" NPT x 24" Riser
10	EU-EZ-K	Euro EasyInstall Kit
11	001062-45	O-Ring
12	014200-45	Star Washer, Anti-Rotation
13	E-HDL-L	Euro Lever Handle w/ (2) Color Coded Screws
14	013788-45	Quarter-Turn Ceramic Cartridge, LTC
15	013840-45	20mm Check Valve (2)
16	001019-45	Coupling Nut Washer
17	006848-40	1/2" BSP Female Eccentric Flange
18	002954-45	Shank Lock Nut
19	000999-45	Brass Lock Washer
20	002814-45	Shank
21	013787-45	Quarter-Turn Ceramic Cartridge, RTC

**Product Specifications:**

International Pre-Rinse Unit: 6" Deck Mount Mixing Faucet, Quarter-Turn Ceramic Cartridges, Euro Lever Handles, 44" Flexible Stainless Steel Hose, High Flow Spray Valve, 12" Wall Bracket, Integral Check Valves & 1/2" BSPT Male Inlets

**Product Compliance:**

ASME A112.18.1 / CSA B125.1  
NSF 61 - Section 9  
NSF 372 (Low Lead Content)  
2019 DOE PRSV Non-Compliant