



T&S BRASS AND BRONZE WORKS, INC.
 2 Saddleback Cove / P.O. Box 1088
 Travelers Rest, SC 29690

Model No.
B-0113-U12-CR-B

Item No.

Travelers Rest, SC: 800-476-4103 • Simi Valley, CA: 800-423-0150 • Fax: 864-834-3518 • www.tsbrass.com

This Space for Architect/Engineer Approval

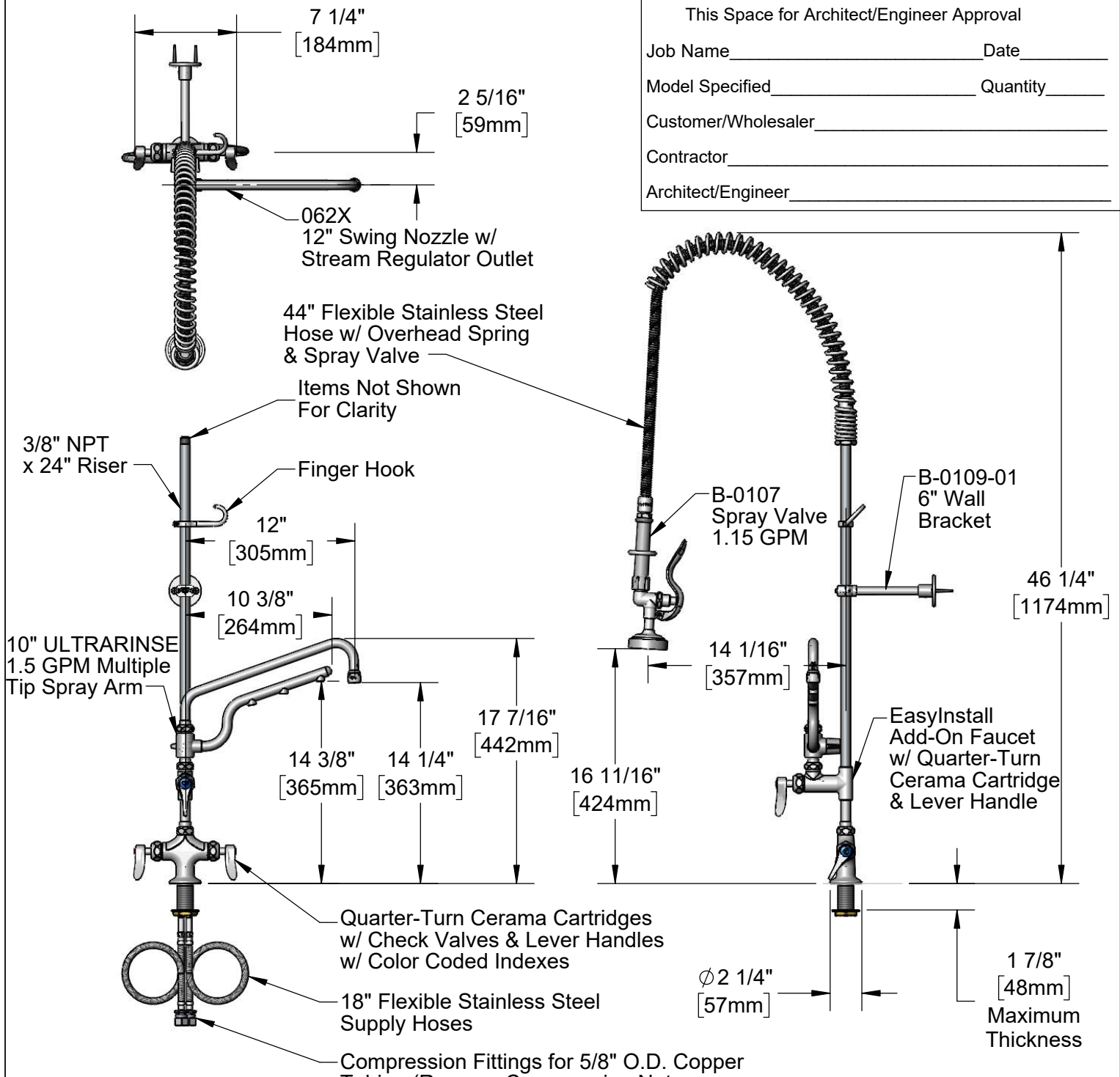
Job Name _____ Date _____

Model Specified _____ Quantity _____

Customer/Wholesaler _____

Contractor _____

Architect/Engineer _____



Rough-In Requirement:
 Ø 1 1/2" [Ø 38mm] Mounting Hole

Product Specifications:
 ULTRARINSE Pre-Rinse Unit: Single Hole Deck Mount Faucet, Quarter-Turn Cerama Cartridges w/ Check Valves, Lever Handles, Add-On Faucet w/ 12" Swing Nozzle, 10" ULTRARINSE 1.5 GPM Multiple Tip Spray Arm, 24" Riser, 44" Flexible Stainless Steel Hose, 1.15 GPM Spray Valve, Flexible Supply Hoses and 6" Wall Bracket

Product Compliance:
 ASME A112.18.1 / CSA B125.1
 NSF 61 - Section 9
 NSF 372 (Low Lead Content)
 2019 DOE PRSV - Class II



T&S BRASS AND BRONZE WORKS, INC.

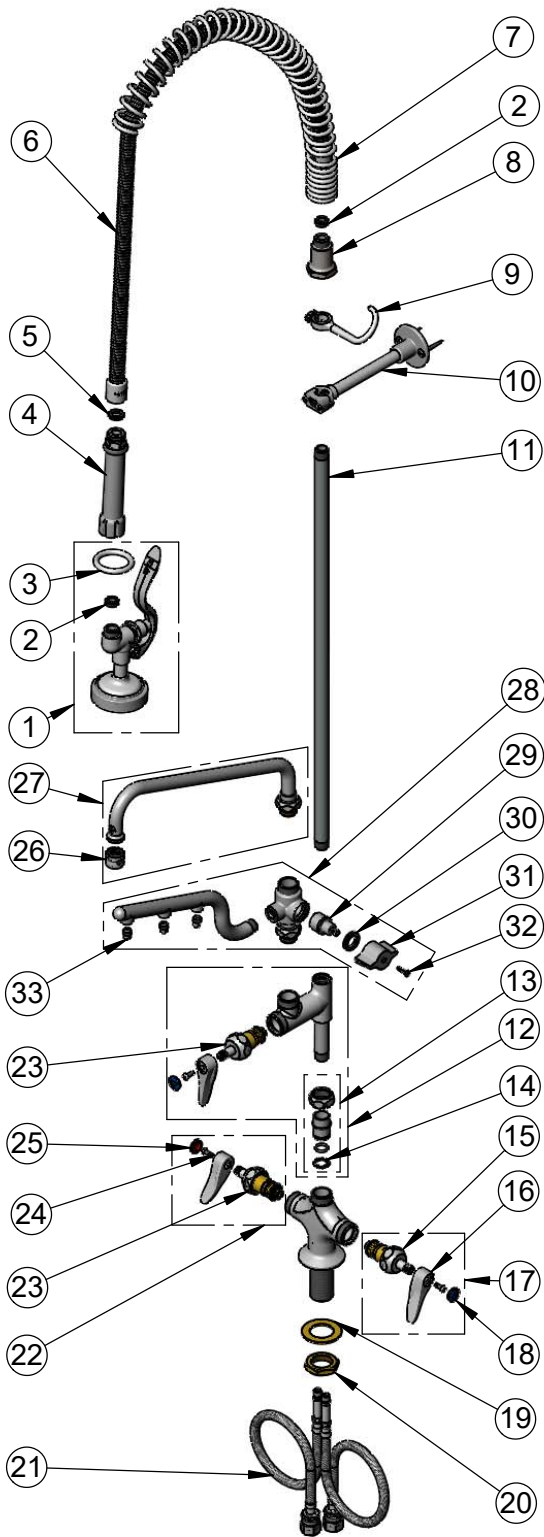
2 Saddleback Cove / P.O. Box 1088
Travelers Rest, SC 29690

Model No.

B-0113-U12-CR-B

Item No.

Travelers Rest, SC: 800-476-4103 • Simi Valley, CA: 800-423-0150 • Fax: 864-834-3518 • www.tsbrass.com



ITEM NO.	SALES NO.	DESCRIPTION
1	B-0107	1.15 GPM Spray Valve
2	010476-45	#27 Washer
3	000907-45	Spray Valve Hold Down Ring
4	002987-40	Grey Handle Grip
5	001014-45	Washer, Hose Barrel
6	B-0044-H2A	44" Flexible Stainless Steel Hose, Less Handle
7	000888-45	EasyInstall Overhead Spring
8	000821-40	Spring Body
9	004R	Finger Hook
10	B-0109-01	6" Wall Bracket
11	000372-40	3/8" NPT x 24" Riser
12	B-0155-CR-LN	Add-On Faucet, Less Nozzle
13	EZ-K	EasyInstall Kit: Nut, Bushing, O-ring & Lock Washer
14	014200-45	Star Washer, Anti-Rotation
15	012395-25NS	Quarter-Turn Cerama Cartridge w/ Check Valve, LTC
16	001638-45NS	Lever Handle (New Style)
17	012447-25NS	Quarter-Turn Cerama Cartridge w/ Check Valve, Handle, Blue Index & Screw, LTC
18	018506-19NS	Blue Button Index, Press-in
19	002290-45	Lock Washer
20	000965-45	Lock Nut
21	012534-45	18" Flexible Supply Hose (2)
22	012446-25NS	Quarter-Turn Cerama Cartridge w/ Check Valve, Handle, Red Index & Screw, RTC
23	012394-25NS	Quarter-Turn Cerama Cartridge w/ Check Valve, RTC
24	000925-45	Lab Handle Screw
25	001193-19NS	Red Button Index, Press-in
26	B-PT	Full Flow Stream Regulator, 55/64-27
27	062X	12" Swing Nozzle
28	U12-KIT	ULTRARINSE 10" 1.5 GPM Sprayer
29	020641-45	ULTRARINSE Diverter Cartridge
30	020645-45	Diverter Cartridge Nut
31	020642-45	ULTRARINSE Diverter Handle
32	020669-45	M4 Screw, 17mm Long
33	020667-25	0.5 GPM Spray Tip
100	000895-45	Spring

Product Specifications:

ULTRARINSE Pre-Rinse Unit: Single Hole Deck Mount Faucet, Quarter-Turn Cerama Cartridges w/ Check Valves, Lever Handles, Add-On Faucet w/ 12" Swing Nozzle, 10" ULTRARINSE 1.5 GPM Multiple Tip Spray Arm, 24" Riser, 44" Flexible Stainless Steel Hose, 1.15 GPM Spray Valve, Flexible Supply Hoses and 6" Wall Bracket

Product Compliance:

ASME A112.18.1 / CSA B125.1
NSF 61 - Section 9
NSF 372 (Low Lead Content)
2019 DOE PRSV - Class II