



T&S BRASS AND BRONZE WORKS, INC.
 2 Saddleback Cove / P.O. Box 1088
 Travelers Rest, SC 29690

Model No.
B-2271-POL-CR

Item No.

Travelers Rest, SC: 800-476-4103 • Simi Valley, CA: 800-423-0150 • Fax: 864-834-3518 • www.tsbrass.com



ADA Compliant

This Space for Architect/Engineer Approval

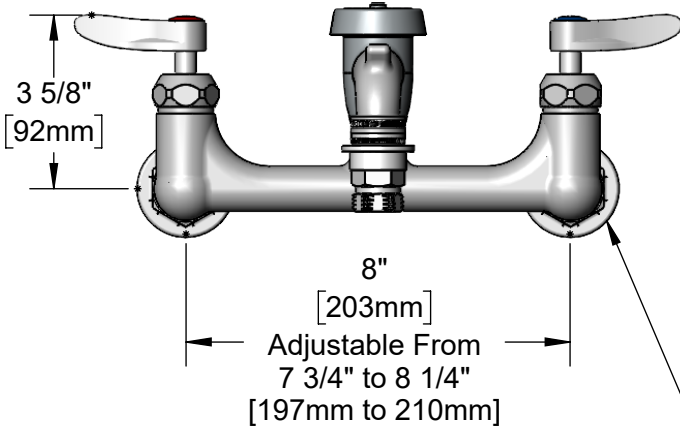
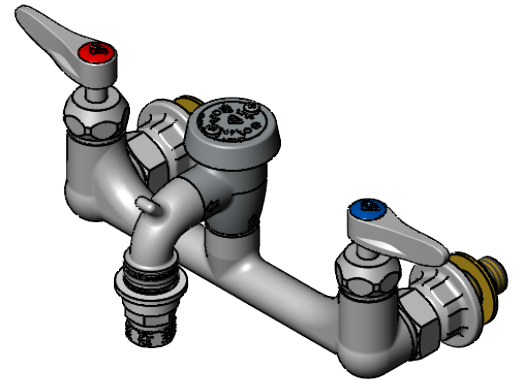
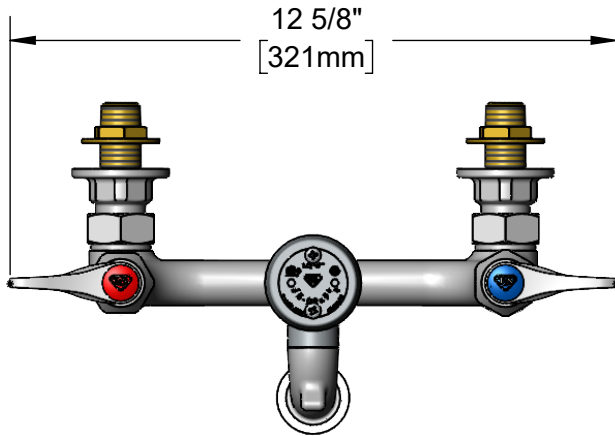
Job Name _____ Date _____

Model Specified _____ Quantity _____

Customer/Wholesaler _____

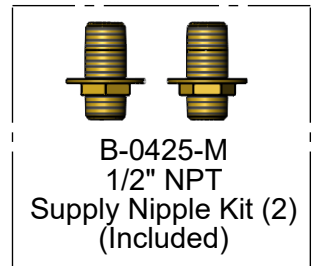
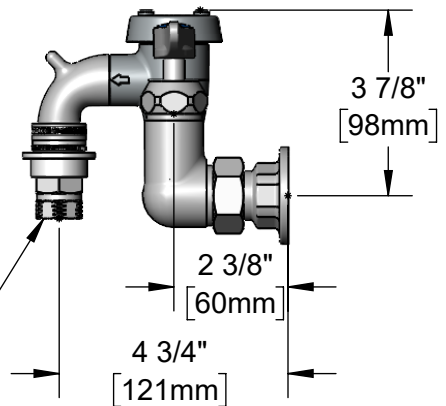
Contractor _____

Architect/Engineer _____



Male Garden
 Hose Outlet
 w/ Quick
 Disconnect
 Fitting

Ø 2" [51mm]
 Flanges w/
 1/2" NPT
 Female Inlets



Rough-In Requirement:
 (2) Ø 1" [25mm] Mounting Holes

Product Specifications:

8" Wall Mount Polish Chrome Service Sink Mixing Faucet, Quarter-Turn Cerama Cartridges w/ Check Valves, Lever Handles, Male Garden Hose Outlet w/ Quick Disconnect Fitting, 1/2" NPT Vacuum Breaker & 1/2" NPT Female Inlets

Product Compliance:

ASME A112.18.1 / CSA B125.1
 NSF 61 - Section 9
 NSF 372 (Low Lead Content)
 ANSI A117.1 (ADA)
 ASSE 1001 (VB)



T&S BRASS AND BRONZE WORKS, INC.

2 Saddleback Cove / P.O. Box 1088
Travelers Rest, SC 29690

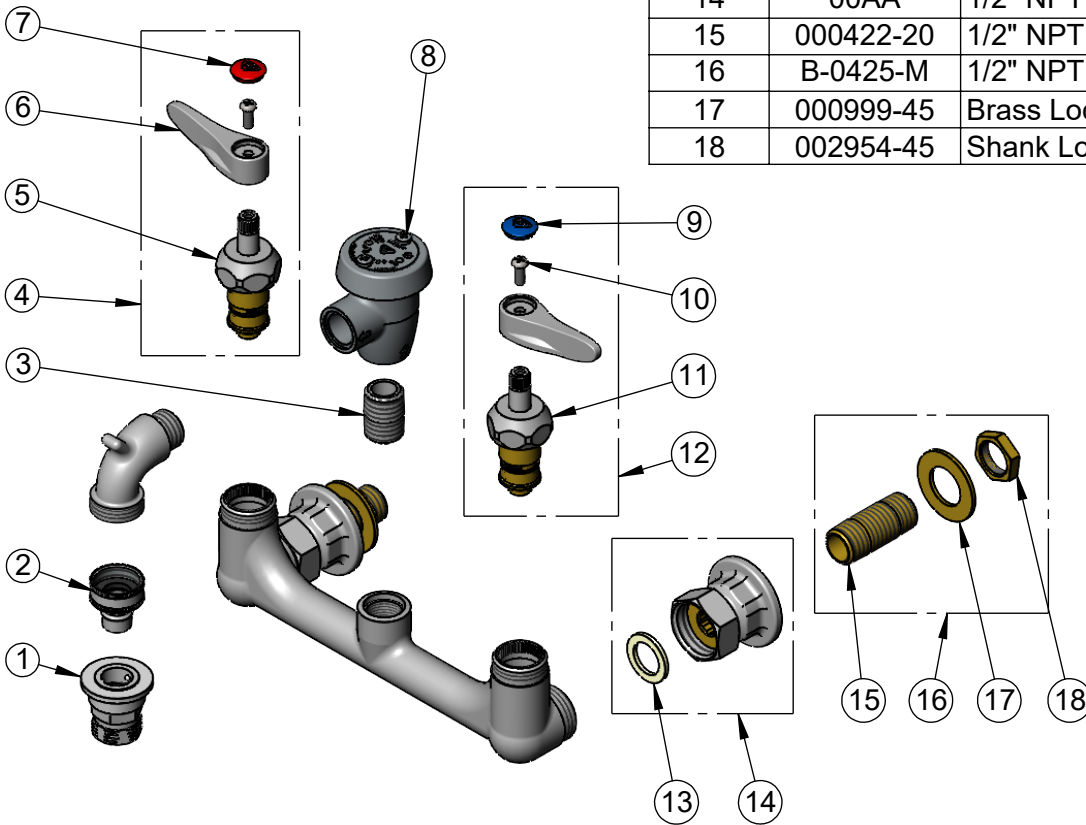
Model No.

B-2271-POL-CR

Item No.

Travelers Rest, SC: 800-476-4103 • Simi Valley, CA: 800-423-0150 • Fax: 864-834-3518 • www.tsbrass.com

ITEM NO.	SALES NO.	DESCRIPTION
1	001371-45	Socket, Quick Disconnect
2	001370-45	Plug, Quick Disconnect
3	002534-25	Close Nipple, 1/2" NPT
4	012446-25NS	Quarter-Turn Cerama Cartridge w/ Check Valve, Handle, Red Index & Screw, RTC
5	012394-25NS	Quarter-Turn Cerama Cartridge w/ Check Valve, RTC
6	001638-45NS	Lever Handle (New Style)
7	001193-19NS	Red Button Index, Press-in
8	B-0969	1/2" NPT Vacuum Breaker
9	018506-19NS	Blue Button Index, Press-in
10	000925-45	Lab Handle Screw
11	012395-25NS	Quarter-Turn Cerama Cartridge w/ Check Valve, LTC
12	012447-25NS	Quarter-Turn Cerama Cartridge w/ Check Valve, Handle, Blue Index & Screw, LTC
13	001019-45	Coupling Nut Washer
14	00AA	1/2" NPT Female Eccentric Flange
15	000422-20	1/2" NPT x 2" Supply Nipple
16	B-0425-M	1/2" NPT Supply Nipple Kit (2)
17	000999-45	Brass Lock Washer
18	002954-45	Shank Lock Nut



Product Specifications:

8" Wall Mount Polish Chrome Service Sink Mixing Faucet, Quarter-Turn Cerama Cartridges w/ Check Valves, Lever Handles, Male Garden Hose Outlet w/ Quick Disconnect Fitting, 1/2" NPT Vacuum Breaker & 1/2" NPT Female Inlets

Product Compliance:

ASME A112.18.1 / CSA B125.1
NSF 61 - Section 9
NSF 372 (Low Lead Content)
ANSI A117.1 (ADA)
ASSE 1001 (VB)