



# T&S BRASS AND BRONZE WORKS, INC.

2 Saddleback Cove / P.O. Box 1088  
Travelers Rest, SC 29690

Model No.

**EU-1DP12**

Item No.

Travelers Rest, SC: 800-476-4103 • Simi Valley, CA: 800-423-0150 • Fax: 864-834-3518 • www.tsbrass.com

This Space for Architect/Engineer Approval

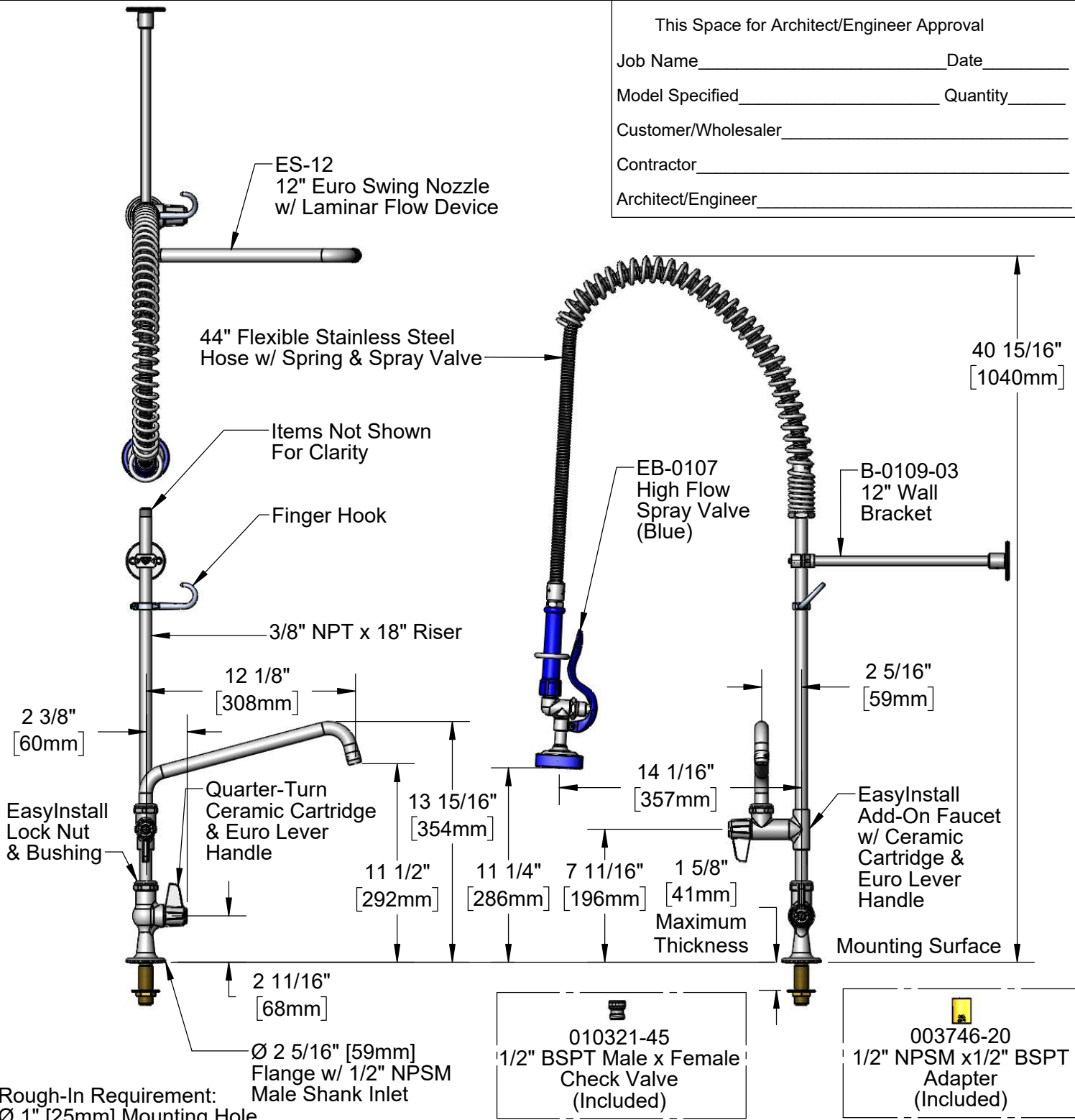
Job Name \_\_\_\_\_ Date \_\_\_\_\_

Model Specified \_\_\_\_\_ Quantity \_\_\_\_\_

Customer/Wholesaler \_\_\_\_\_

Contractor \_\_\_\_\_

Architect/Engineer \_\_\_\_\_



Rough-In Requirement:  
Ø 1" [25mm] Mounting Hole

**Product Specifications:**

International Pre-Rinse Unit: Single Temperature, Single Hole Deck Mount Faucet, Quarter-Turn Ceramic Cartridges, Euro Lever Handles, Add-On Faucet w/ 12" Swing Nozzle, 44" Flexible Stainless Steel Hose, High Flow Spray Valve (Blue), 12" Wall Bracket & 1/2" NPSM Shank Inlet w/ BSPT Adapter & Check Valve

**Product Compliance:**

ASME A112.18.1 / CSA B125.1  
NSF 61 - Section 9  
NSF 372 (Low Lead Content)  
2019 DOE PRSV Non-Compliant



# T&S BRASS AND BRONZE WORKS, INC.

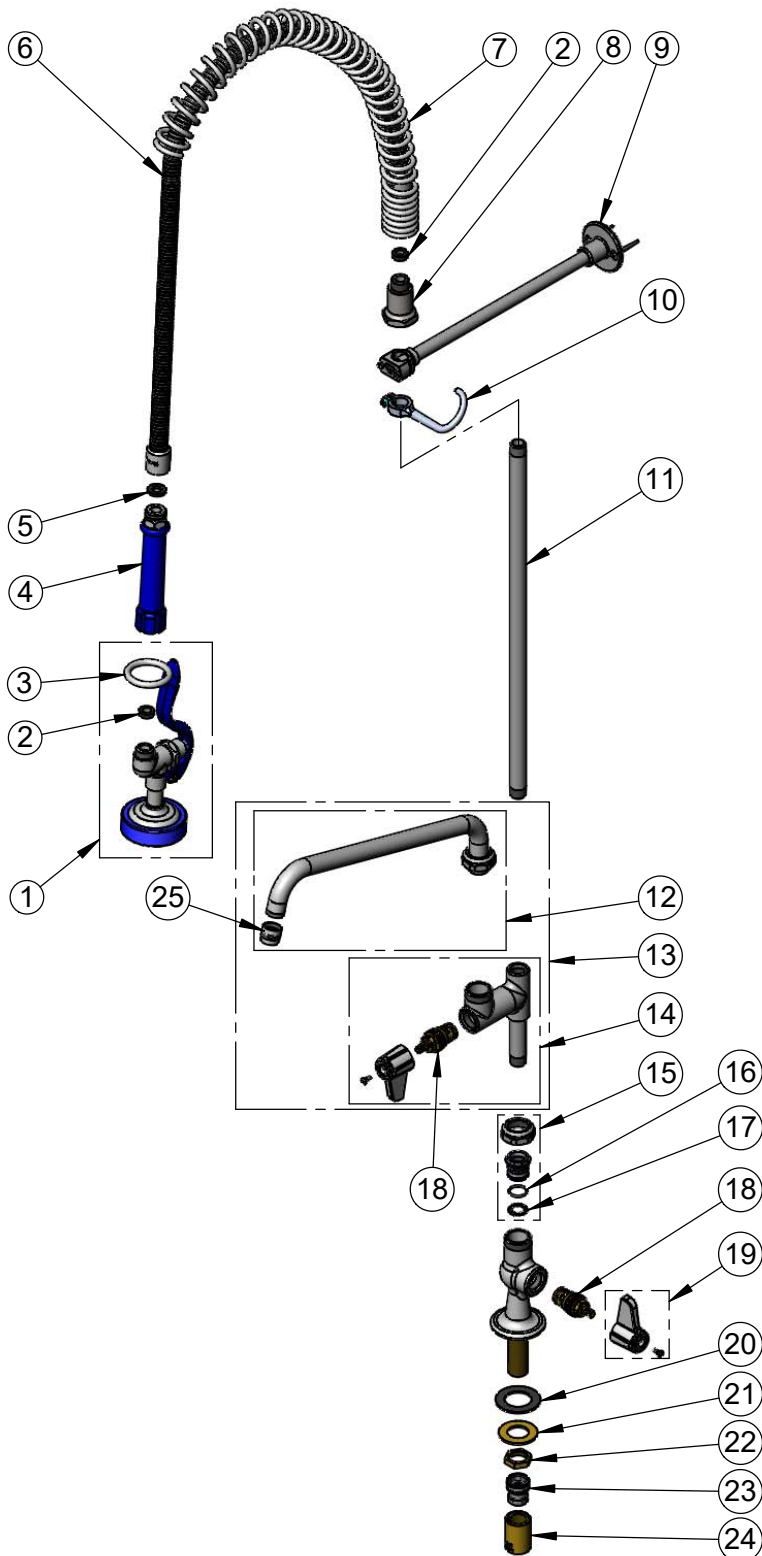
2 Saddleback Cove / P.O. Box 1088  
Travelers Rest, SC 29690

Model No.

**EU-1DP12**

Item No.

Travelers Rest, SC: 800-476-4103 • Simi Valley, CA: 800-423-0150 • Fax: 864-834-3518 • www.tsbrass.com



ITEM NO.	SALES NO.	DESCRIPTION
1	EB-0107	High Flow Spray Valve (Blue)
2	010476-45	#27 Washer
3	000907-45	Spray Valve Hold Down Ring
4	011482-40	Grip Handle (Blue)
5	001014-45	Washer, B-0100 Hose Barrel
6	B-0044-H2A	44" Flexible Stainless Steel Hose, Less Handle
7	000888-45	EasyInstall Overhead Spring
8	000821-40	Spring Body
9	B-0109-03	12" Wall Bracket
10	004R	Finger Hook
11	000369-40	3/8" NPT x 18" Riser
12	ES-12	12" Euro Swing Nozzle w/ Laminar Flow Device
13	EU-AF12	Add-On Faucet w/ Ceramic Cartridge, 12" Euro Swing Nozzle & Euro Lever Handle
14	EU-AF00	Euro Add-On Faucet, Less Nozzle
15	EU-EZ-K	Euro EasyInstall Kit
16	001062-45	O-Ring
17	014200-45	Star Washer, Anti-Rotation
18	013787-45	equip Quarter-Turn Ceramic Cartridge, RTC (Red)
19	E-HDL-L	Euro Lever Handle w/ (2) Color Coded Screws
20	014612-45	Deck Seal
21	000999-45	Brass Lock Washer
22	002954-45	Shank Lock Nut
23	010321-45	Check Valve Assembly
24	003746-20	Adapter, 1/2" NPSM Female x 1/2" BSPT Female
25	014250-45	3/4-27 Full Flow Laminar Device

**Product Specifications:**

International Pre-Rinse Unit: Single Temperature, Single Hole Deck Mount Faucet, Quarter-Turn Ceramic Cartridges, Euro Lever Handles, Add-On Faucet w/ 12" Swing Nozzle, 44" Flexible Stainless Steel Hose, High Flow Spray Valve (Blue), 12" Wall Bracket & 1/2" NPSM Shank Inlet w/ BSPT Adapter & Check Valve

**Product Compliance:**

ASME A112.18.1 / CSA B125.1  
NSF 61 - Section 9  
NSF 372 (Low Lead Content)  
2019 DOE PRSV Non-Compliant