



# T&S BRASS AND BRONZE WORKS, INC.

2 Saddleback Cove / P.O. Box 1088  
Travelers Rest, SC 29690

Model No.

**EU-2DP12-J**

Item No.

Travelers Rest, SC: 800-476-4103 • Simi Valley, CA: 800-423-0150 • Fax: 864-834-3518 • www.tsbrass.com

This Space for Architect/Engineer Approval

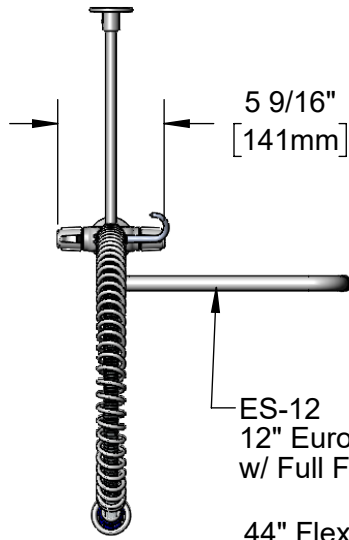
Job Name \_\_\_\_\_ Date \_\_\_\_\_

Model Specified \_\_\_\_\_ Quantity \_\_\_\_\_

Customer/Wholesaler \_\_\_\_\_

Contractor \_\_\_\_\_

Architect/Engineer \_\_\_\_\_



ES-12  
12" Euro Swing Nozzle  
w/ Full Flow Laminar Device

44" Flexible Stainless Steel  
Hose w/ Spring & Spray Valve

Items Not Shown  
For Clarity

Finger Hook

3/8" NPT x 18" Riser

12 1/8"  
[308mm]

EasyInstall  
Lock Nut  
& Bushing

2 3/8"  
[60mm]

Ceramic  
Cartridges  
& Euro Lever  
Handles w/  
Color Coded  
Screws

13 7/16"  
[341mm]

11"  
[279mm]

10 3/4"  
[272mm]

EB-0107-J  
1.07 GPM  
Spray Valve

B-0109-03  
12" Wall  
Bracket

2 5/16"  
[59mm]

40 5/16"  
[1024mm]

EasyInstall  
Add-On Faucet  
w/ Ceramic  
Cartridge & Euro  
Lever Handle

7 3/16"  
[182mm]

Mounting  
Surface

Ø 2 1/4" [57mm]  
Flange

19 11/16" [500mm] Flexible  
Supply Hoses w/ G1/2 (1/2" BSPP)  
Female Swivel Nut Fittings

Check Valve Adapters w/  
1/2" NPSM Female Inlets

14 1/16"  
[357mm]

1 7/8"  
[48mm]

Maximum  
Thickness

Rough-In Requirement:  
Ø 1 1/2" [38mm] Mounting Hole

**Product Specifications:**

EasyInstall Pre-Rinse Unit: Single Hole Deck Mount Mixing Faucet, Ceramic Cartridges, Euro Lever Handles, Add-On Faucet w/ 12" Swing Nozzle, 44" Flexible Stainless Steel Hose, 1.07 GPM Spray Valve (Blue), 12" Wall Bracket, 19 11/16" [500mm] Flexible Supply Hoses w/ G1/2 (1/2" BSPP) Female Nut Fittings & Check Valve Adapters w/ 1/2" NPSM Female Inlets

**Product Compliance:**

ASME A112.18.1 / CSA B125.1  
NSF 61 - Section 9  
NSF 372 (Low Lead Content)  
2019 DOE PRSV - Class II



# T&S BRASS AND BRONZE WORKS, INC.

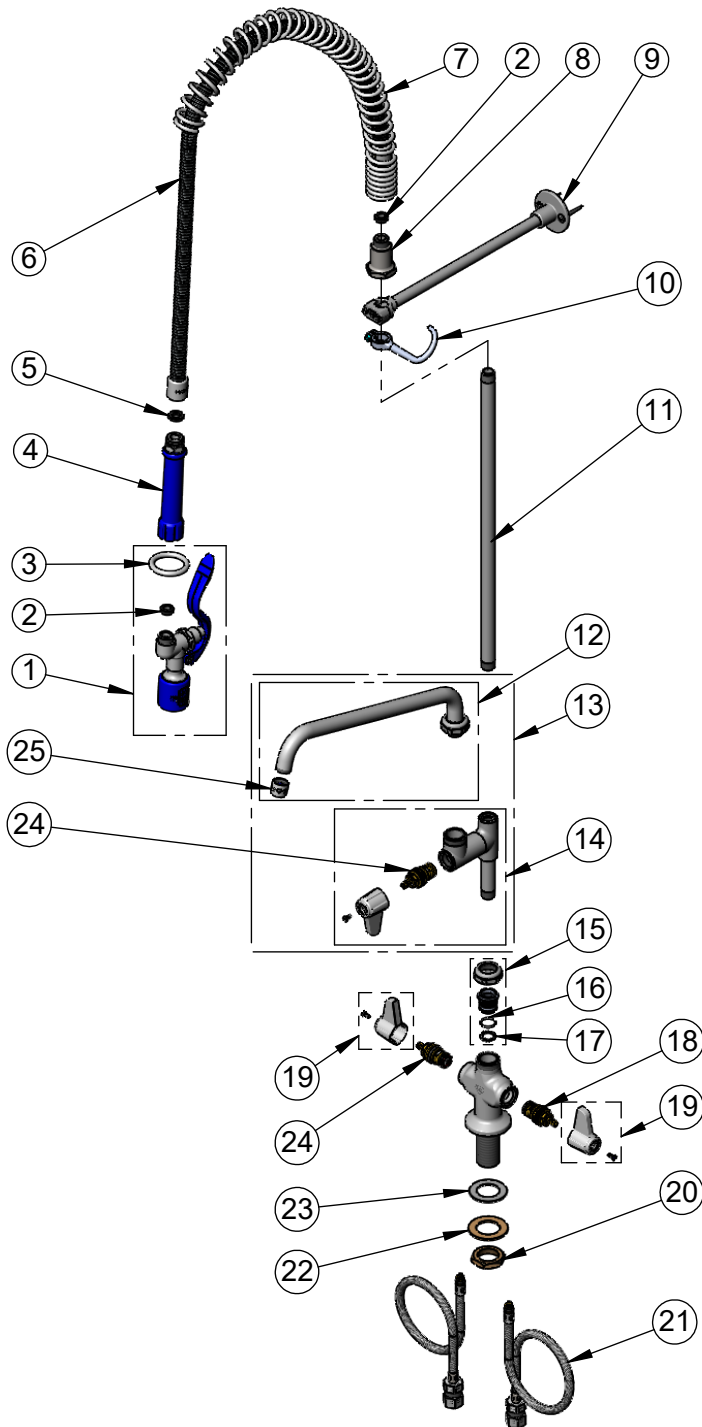
2 Saddleback Cove / P.O. Box 1088  
Travelers Rest, SC 29690

Model No.

**EU-2DP12-J**

Item No.

Travelers Rest, SC: 800-476-4103 • Simi Valley, CA: 800-423-0150 • Fax: 864-834-3518 • www.tsbrass.com



ITEM NO.	SALES NO.	DESCRIPTION
1	EB-0107-J	1.07 GPM Spray Valve (Blue)
2	010476-45	#27 Washer
3	000907-45	Spray Valve Hold Down Ring
4	011482-40	Grip Handle (Blue)
5	001014-45	Washer, B-0100 Hose Barrel
6	B-0044-H2A	44" Flexible Stainless Steel Hose, Less Handle
7	000888-45	EasyInstall Overhead Spring
8	000821-40	Spring Body
9	B-0109-03	12" Wall Bracket
10	004R	Finger Hook
11	000369-40	3/8" NPT x 18" Riser
12	ES-12	12" Euro Swing Nozzle w/ Full Flow Laminar Device
13	EU-AF12	Add-On Faucet w/ Ceramic Cartridge, 12" Euro Swing Nozzle & Euro Lever Handle
14	EU-AF-00	Euro Add-On Faucet, Less Nozzle
15	EU-EZ-K	Euro EasyInstall Kit
16	001062-45	O-Ring
17	014200-45	Star Washer, Anti-Rotation
18	013788-45	Ceramic Cartridge, LTC (Blue)
19	E-HDL-L	Euro Lever Handle w/ (2) Color Coded Screws
20	000965-45	Lock Nut
21	016068-25DR	Flexible Connector Hose w/ Check Valve Adapter
22	002290-45	Lock Washer
23	014612-45	Deck Seal
24	013787-45	Ceramic Cartridge, RTC (Red)
25	014250-45	3/4-27 Full Flow Laminar Device

**Product Specifications:**

EasyInstall Pre-Rinse Unit: Single Hole Deck Mount Mixing Faucet, Ceramic Cartridges, Euro Lever Handles, Add-On Faucet w/ 12" Swing Nozzle, 44" Flexible Stainless Steel Hose, 1.07 GPM Spray Valve (Blue), 12" Wall Bracket, 19 11/16" [500mm] Flexible Supply Hoses w/ G1/2 (1/2" BSPP) Female Nut Fittings & Check Valve Adapters w/ 1/2" NPSM Female Inlets

**Product Compliance:**

ASME A112.18.1 / CSA B125.1  
NSF 61 - Section 9  
NSF 372 (Low Lead Content)  
2019 DOE PRSV - Class II