



Architect/Engineering Specifications:

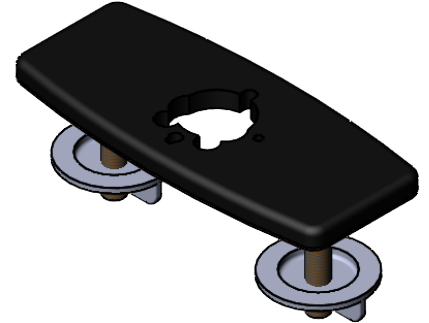
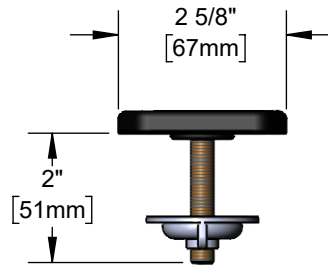
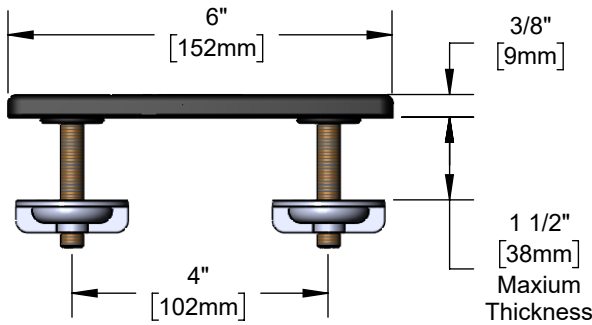
Matte black finish brass 4" forged deck plate with vandal resistant pin holes

Job Name _____

Model Specified _____ Quantity _____

Variations Specified _____

Date _____



Features & Benefits:

- 4" forged deck plate
- Vandal resistant pin holes
- Material: Matte black finish brass

Product Compliance:

- N/A

Warranty: One Year (Limited)

Performance Data:

- N/A

