



T&S BRASS AND BRONZE WORKS, INC.
 2 Saddleback Cove / P.O. Box 1088
 Travelers Rest, SC 29690

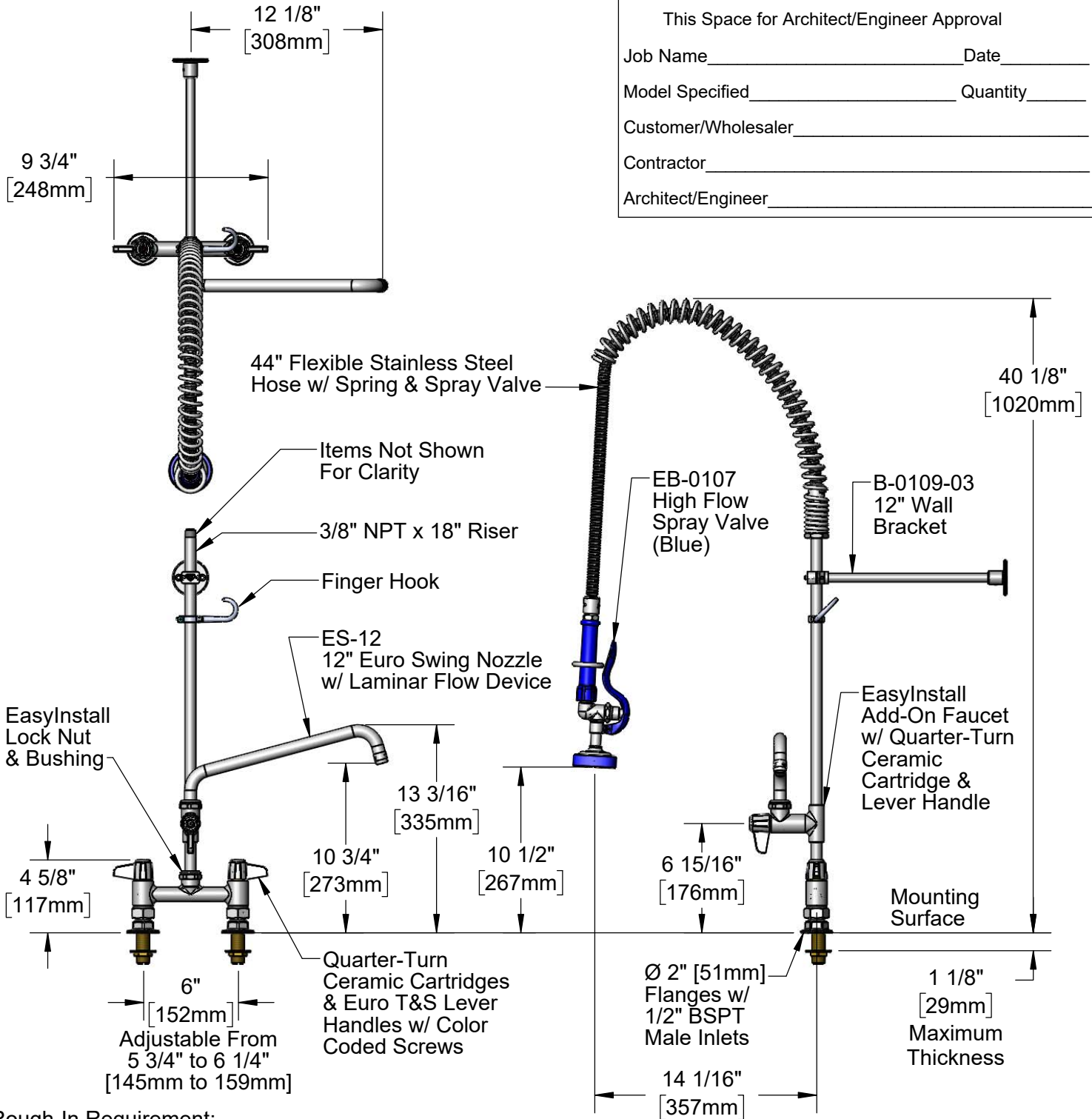
Model No.
EU-6DP12

Item No.

Travelers Rest, SC: 800-476-4103 • Simi Valley, CA: 800-423-0150 • Fax: 864-834-3518 • www.tsbrass.com

This Space for Architect/Engineer Approval

Job Name _____ Date _____
 Model Specified _____ Quantity _____
 Customer/Wholesaler _____
 Contractor _____
 Architect/Engineer _____



Rough-In Requirement:
 (2) Ø 1" [25mm] Mounting Holes

Product Specifications:

International Pre-Rinse Unit: 6" Deck Mount Mixing Faucet, Quarter-Turn Ceramic Cartridges, Euro Lever Handles, Add-On Faucet w/ 12" Euro Swing Nozzle, 44" Flexible Stainless Steel Hose, High Flow Spray Valve (Blue), 12" Wall Bracket, Integral Check Valves & 1/2" BSPT Male Inlets

Product Compliance:

ASME A112.18.1 / CSA B125.1
 NSF 61 - Section 9
 NSF 372 (Low Lead Content)
 2019 DOE PRSV Non-Compliant



T&S BRASS AND BRONZE WORKS, INC.

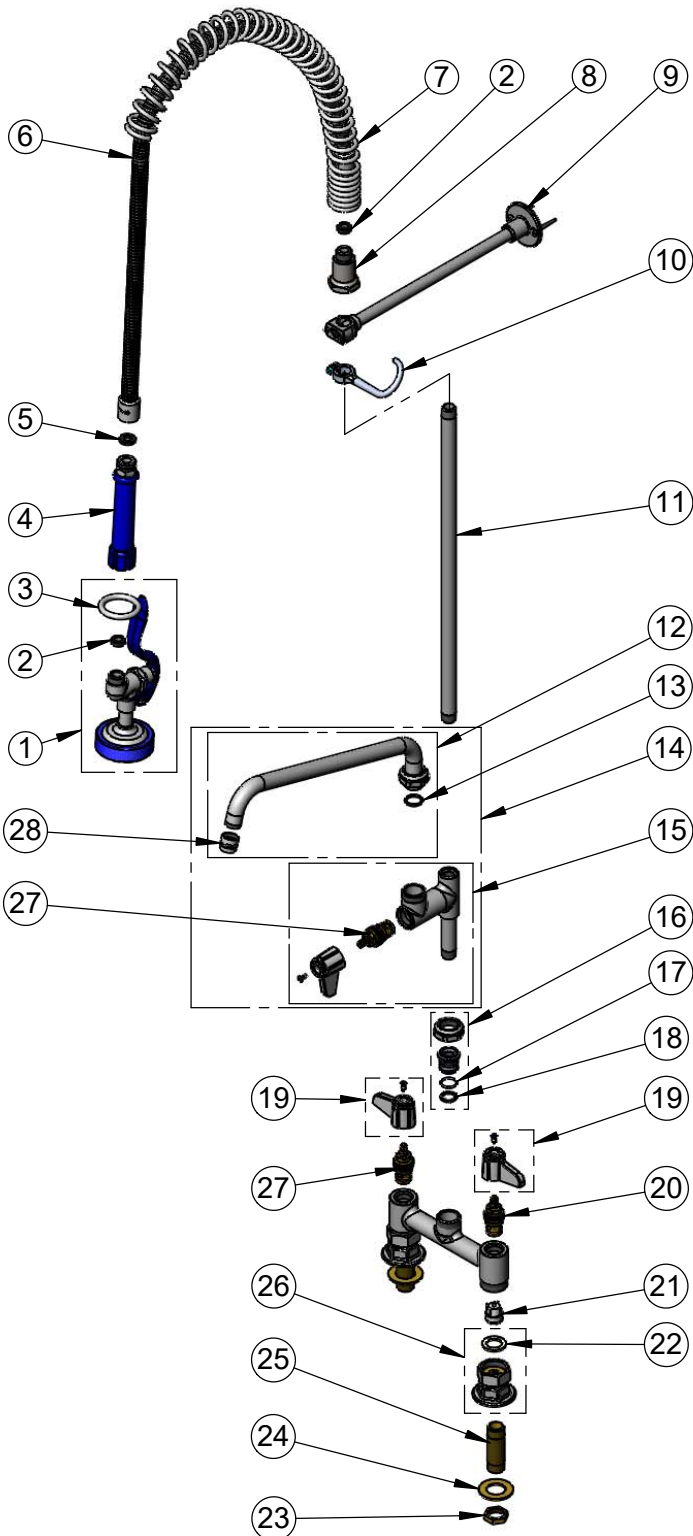
2 Saddleback Cove / P.O. Box 1088
Travelers Rest, SC 29690

Model No.

EU-6DP12

Item No.

Travelers Rest, SC: 800-476-4103 • Simi Valley, CA: 800-423-0150 • Fax: 864-834-3518 • www.tsbrass.com



ITEM NO.	SALES NO.	DESCRIPTION
1	EB-0107	High Flow Spray Valve (Blue)
2	010476-45	#27 Washer
3	000907-45	Spray Valve Hold Down Ring
4	011482-40	Grip Handle (Blue)
5	001014-45	Washer, B-0100 Hose Barrel
6	B-0044-H2A	44" Flexible Stainless Steel Hose, Less Handle
7	000888-45	EasyInstall Overhead Spring
8	000821-40	Spring Body
9	B-0109-03	12" Wall Bracket
10	004R	Finger Hook
11	000369-40	3/8" NPT x 18" Riser
12	ES-12	12" Euro Swing Nozzle
13	013848-45	O-Ring
14	EU-AF12	Add-On Faucet w/ Ceramic Cartridge, 12" Euro Swing Nozzle & Euro Lever Handle
15	EU-AF00	Euro Add-On Faucet
16	EU-EZ-K	Euro EasyInstall Kit
17	001062-45	O-Ring
18	014200-45	Star Washer, Anti-Rotation
19	E-HDL-L	Euro Lever Handle w/ (2) Color Coded Screws
20	013788-45	Quarter-Turn Ceramic Cartridge, LTC (Blue)
21	013840-45	20mm Check Valve (2)
22	001019-45	Coupling Nut Washer
23	002954-45	Shank Lock Nut
24	000999-45	Brass Lock Washer
25	002814-45	Shank
26	006848-40	1/2" BSPT Female Eccentric Flange
27	013787-45	Quarter-Turn Ceramic Cartridge, RTC (Red)
28	014250-45	Laminar Flow Device, 3/4-27 UN Female

Product Specifications:

International Pre-Rinse Unit: 6" Deck Mount Mixing Faucet, Quarter-Turn Ceramic Cartridges, Euro Lever Handles, Add-On Faucet w/ 12" Euro Swing Nozzle, 44" Flexible Stainless Steel Hose, High Flow Spray Valve (Blue), 12" Wall Bracket, Integral Check Valves & 1/2" BSPT Male Inlets

Product Compliance:

ASME A112.18.1 / CSA B125.1
NSF 61 - Section 9
NSF 372 (Low Lead Content)
2019 DOE PRSV Non-Compliant