



T&S BRASS AND BRONZE WORKS, INC.
 2 Saddleback Cove / P.O. Box 1088
 Travelers Rest, SC 29690

Model No.
007010-40

Item No.

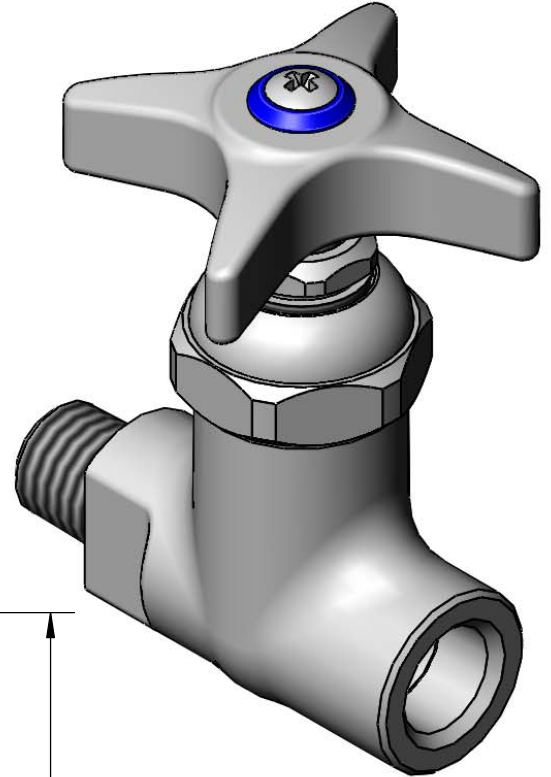
Travelers Rest, SC: 800-476-4103 • Simi Valley, CA: 800-423-0150 • Fax: 864-834-3518 • www.tsbrass.com

This Space for Architect/Engineer Approval

Job Name _____ Date _____
 Model Specified _____ Quantity _____
 Customer/Wholesaler _____
 Contractor _____
 Architect/Engineer _____



ADA Compliant

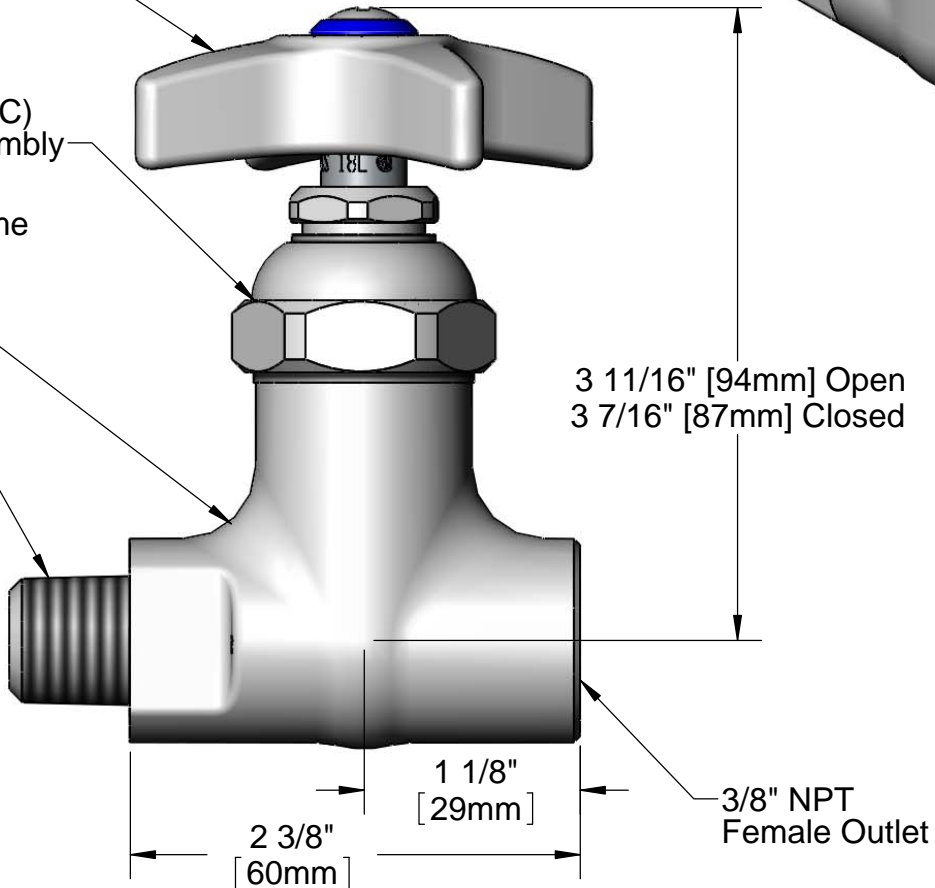


4-Arm Handle &
 Blue Index

005960-40
 Eterna Hot (RTC)
 Cartridge Assembly

Polished Chrome
 Body

3/8" NPT
 Male Inlet



Product Specifications:
 3/8" NPT Straight Stop Assembly
 w/ Eterna Cartridge & 4-Arm Handle

Drawn JRM	Checked KJG	Approved JHB
Scale: 1:1		Date: 06/26/13