



T&S BRASS AND BRONZE WORKS, INC.
 2 Saddleback Cove / P.O. Box 1088
 Travelers Rest, SC 29690

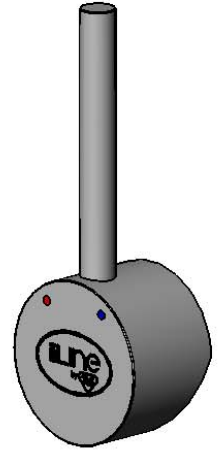
Model No.
019277-45

Item No.

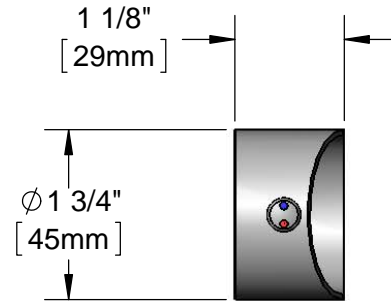
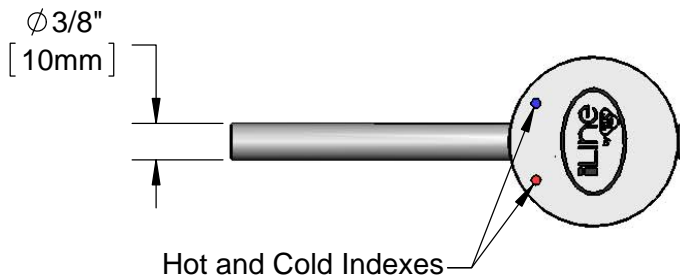
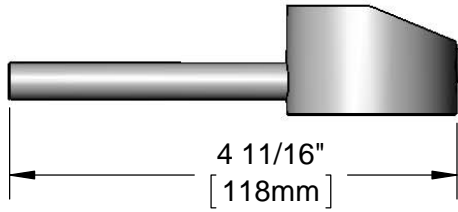
Travelers Rest, SC: 800-476-4103 • Simi Valley, CA: 800-423-0150 • Fax: 864-834-3518 • www.tsbrass.com

This Space for Architect/Engineer Approval

Job Name _____ Date _____
 Model Specified _____ Quantity _____
 Customer/Wholesaler _____
 Contractor _____
 Architect/Engineer _____



Includes Set
 Screw & Plug



Product Specifications:
 Single Lever Rod Handle, EA-1DF Series

Drawn KJG	Checked JRM	Approved JHB
---------------------	-----------------------	------------------------

Scale: 1:2	Date: 05/14/15
----------------------	--------------------------