



Low Flow Pre-Rinse
002662-40

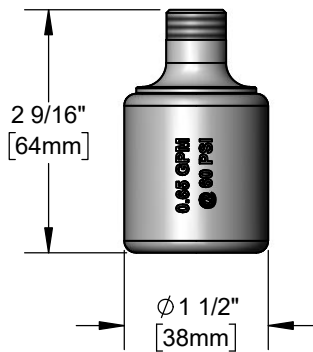
TAG:

Spray Valve Nozzle and Bumper

Architect/Engineering Specifications:

B-0107-C low flow spray tip and bumper, 0.65 GPM. Certified to ASME A112.18.1 / CSA B125.1, NSF 61 and NSF 372.

Job Name _____
 Model Specified _____ Quantity _____
 Variations Specified _____
 Date _____



Features & Benefits:

- Low flow pre-rinse spray valve nozzle
- 0.65 GPM grey shield and bumper guard for B-0107-C spray valve
- Materials: Rough chrome polished brass and rubber

Product Compliance:

- ASME A112.18.1 / CSA B125.1
- NSF 61 - Section 9
- NSF 372 (Low Lead Content)



Warranty: One Year (Limited)

Performance Data:

- Pressure: 20 - 125 psi
- Temperature: 40 °F - 140 °F
- Flow Rate: 0.65 GPM @ 60 psi



T&S BRASS AND BRONZE WORKS, INC.



• 2 Saddleback Cove • Travelers Rest, SC 29690
 Ph 800-476-4103 • Fax 864-834-3518
 • Simi Valley, CA • Ph 800-423-0150 • www.tsbrass.com

Date: 09/20/19