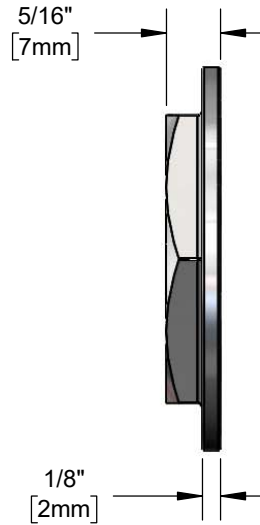
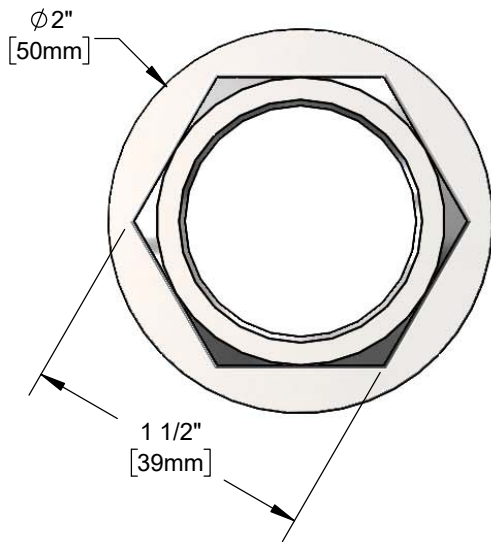




Architect/Engineering Specifications:

Rough chrome plated flanged nut with 1 1/4-24 UN female thread.

Job Name _____
 Model Specified _____ Quantity _____
 Variations Specified _____
 Date _____



Features & Benefits:

- Flange nut
- 1 1/4-24 UN female thread
- Material: Rough chrome plated metal

Product Compliance:

- N/A

Warranty: One Year (Limited)

Performance Data:

- N/A

