



**Architect/Engineering Specifications:**

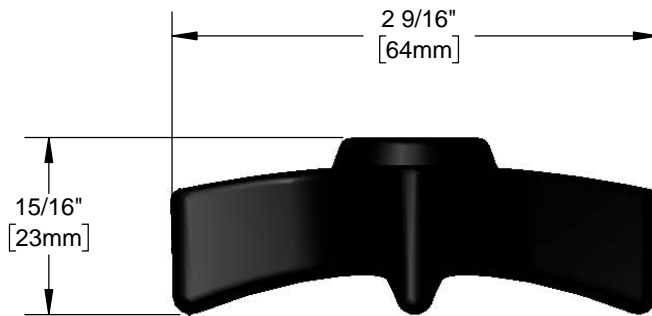
Black polypropylene 4-arm handle. Fits all standard T&S compression and ceramic cartridges.

Job Name \_\_\_\_\_

Model Specified \_\_\_\_\_ Quantity \_\_\_\_\_

Variations Specified \_\_\_\_\_

Date \_\_\_\_\_



**Features & Benefits:**

- Black polypropylene 4-arm handle
- Material: Polypropylene

**Product Compliance:**

- N/A

**Warranty:** One Year (Limited)

**Performance Data:**

- N/A

