



**Low Flow Pre-Rinse
001AC**

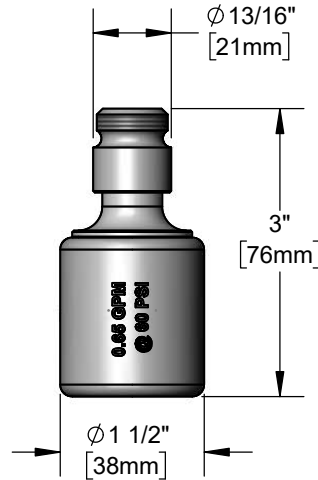
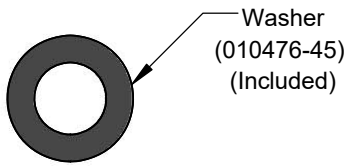
TAG:

Spray Valve Nozzle

Architect/Engineering Specifications:

Low flow spray tip, bumper, 0.65 GPM with a 5/8-27 female x 3/4-14 male adapter. Certified to ASME A112.18.1 / CSA B125.1, NSF 6 and NSF 372.

Job Name _____
 Model Specified _____ Quantity _____
 Variations Specified _____
 Date _____



Features & Benefits:

- Low flow pre-rinse spray valve nozzle
- 0.65 GPM grey shield and bumper guard
- 5/8-27 female x 3/4-14 male adapter
- Materials: Rough chrome plated brass and rubber

Product Compliance:

- ASME A112.18.1 / CSA B125.1
- NSF 61 - Section 9
- NSF 372 (Low Lead Content)



Warranty: One Year (Limited)



Performance Data:

- Pressure: 20 - 125 psi [1.38 - 8.62 bar]
- Temperature: 40 °F - 140 °F [4.44 °C - 60 °C]
- Flow Rate: 0.65 GPM [2.46 L/min] @ 60 psi [4.14 bar]



T&S BRASS AND BRONZE WORKS, INC.



• 2 Saddleback Cove • Travelers Rest, SC 29690
 Ph 800-476-4103 • Fax 864-834-3518
 • Simi Valley, CA • Ph 800-423-0150 • www.tsbrass.com

Date: 08/15/22