



**Architect/Engineering Specifications:**

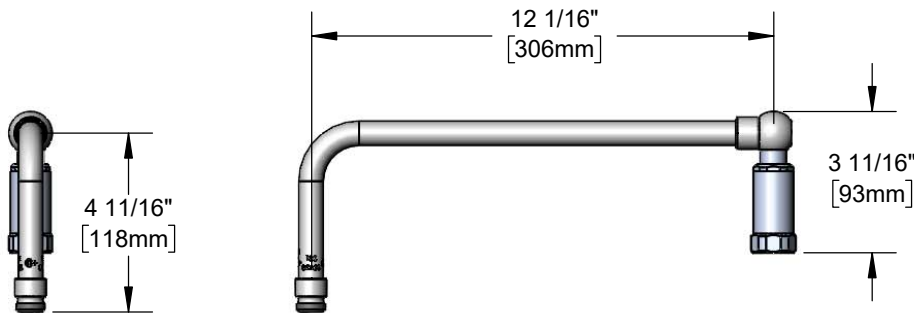
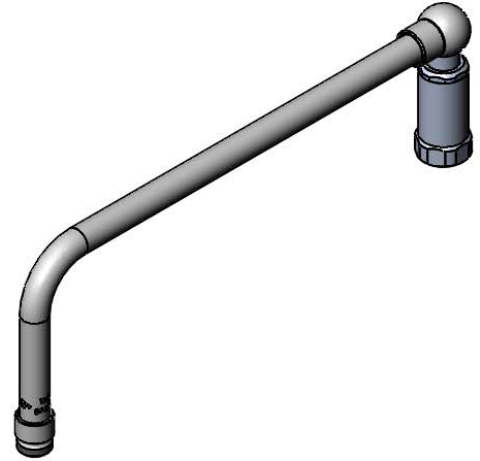
12 1/16" L-Tube with polished chrome plated brass body, 3/4-14 male outlet and 3/8" NPT female inlet. Certified to ASME A112.18.1/CSA B125.1, NSF 61-Section 9 and NSF 372.

Job Name \_\_\_\_\_

Model Specified \_\_\_\_\_ Quantity \_\_\_\_\_

Variations Specified \_\_\_\_\_

Date \_\_\_\_\_



**Features & Benefits:**

- 12 1/16" L-Tube
- 3/8" NPT female thread
- 3/4-14 UN male threads
- Material: Chrome plated brass tubular nozzle

**Product Compliance:**

- ASME A112.18.1 / CSA B125.1
- NSF 61 - Section 9
- NSF 372 (Low Lead Content)



**Warranty:** One Year (Limited)

**Performance Data:**

- Pressure: 20 - 125 psi
- Temperature: 40 °F - 140 °F
- Flow Rate: 17.60 GPM @ 60 psi

