



T&S BRASS AND BRONZE WORKS, INC.
 2 Saddleback Cove / P.O. Box 1088
 Travelers Rest, SC 29690

Model No.
B-0123-12V15-B

Item No.

Travelers Rest, SC: 800-476-4103 • Simi Valley, CA: 800-423-0150 • Fax: 864-834-3518 • www.tsbrass.com

This Space for Architect/Engineer Approval

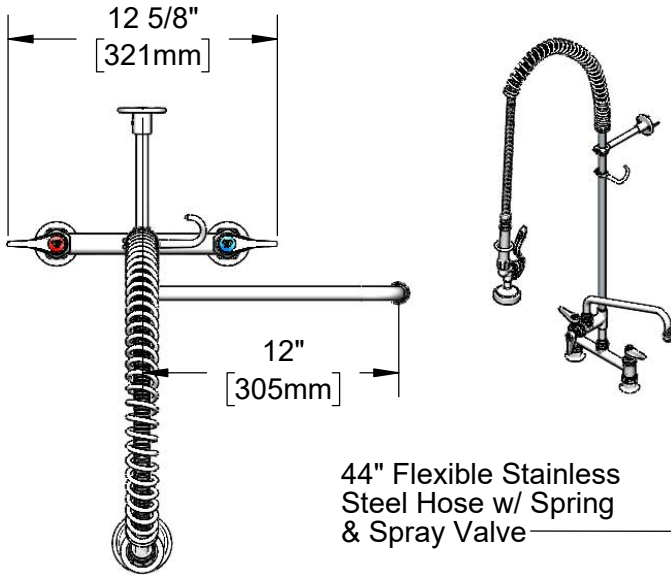
Job Name _____ Date _____

Model Specified _____ Quantity _____

Customer/Wholesaler _____

Contractor _____

Architect/Engineer _____



44" Flexible Stainless Steel Hose w/ Spring & Spray Valve

Items Not Shown For Clarity

Finger Hook

3/8" NPT x 24" Riser

062X-V15 12" Swing Nozzle w/ 1.5 GPM VR Aerator

B-0109-01 6" Wall Bracket

B-0107 1.15 GPM Spray Valve

2 5/16" [59mm]

46" [1169mm]

14 1/16" [357mm]

16 1/2" [419mm]

6 13/16" [174mm]

EasyInstall Add-On Faucet w/ Quarter-Turn Eterna Cartridge & Lever Handle

Mounting Surface

Ø 2" [51mm] Flanges w/ 1/2" NPT Female Inlets

EasyInstall Lock Nut & Bushing

Quarter-Turn Eterna Cartridges w/ Spring Checks & Lever Handles w/ Color Coded Indexes

11 3/8" [289mm]

8" [203mm]

Adjustable From 7 3/4" to 8 1/4" [197mm to 210mm]

Product Specifications:
 Pre-Rinse Unit: EasyInstall 8" Deck Mount Mixing Faucet, Quarter-Turn Eterna Cartridges w/ Spring Checks, Lever Handles, Add-On Faucet, 12" Swing Spout w/ 1.5 GPM Aerator, 44" Flexible Stainless Steel Hose, 1.15 GPM Spray Valve, 6" Wall Bracket & 1/2" NPT Female Inlets

Product Compliance:
 ASME A112.18.1 / CSA B125.1
 NSF 61 - Section 9
 NSF 372 (Low Lead Content)
 2019 DOE PRSV - Class II
 SASO (Saudi Arabia)



T&S BRASS AND BRONZE WORKS, INC.

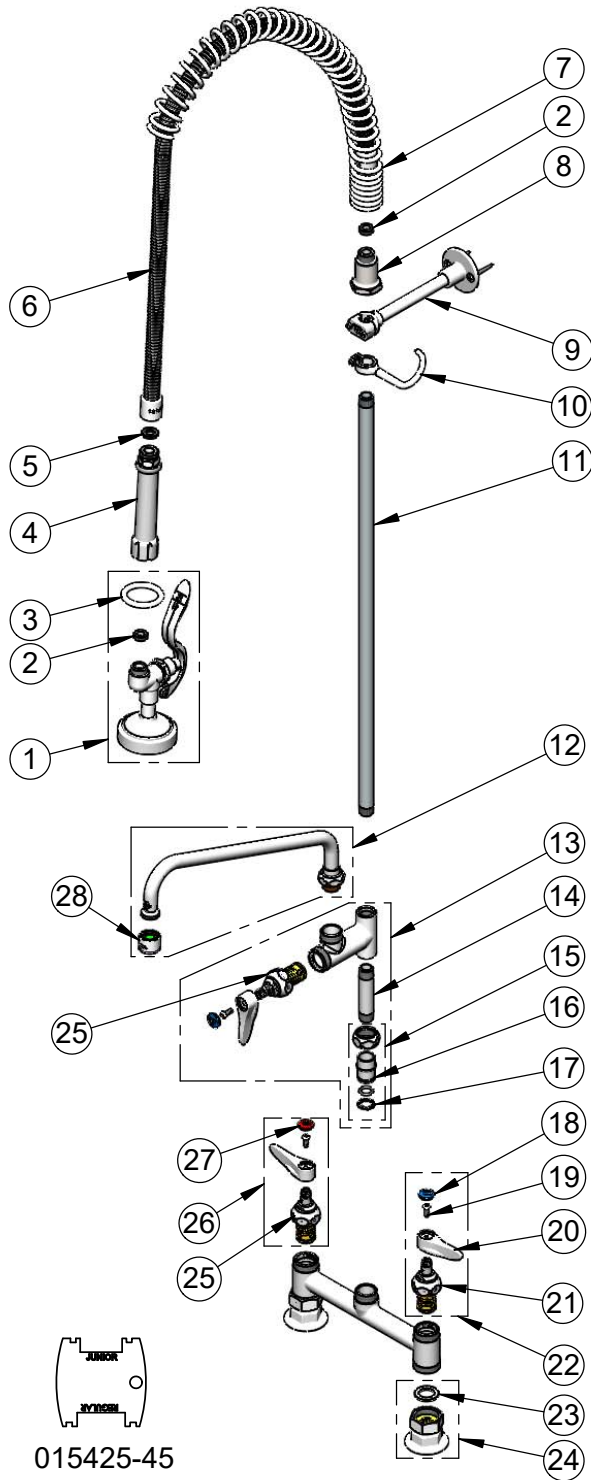
2 Saddleback Cove / P.O. Box 1088
Travelers Rest, SC 29690

Model No.

B-0123-12V15-B

Item No.

Travelers Rest, SC: 800-476-4103 • Simi Valley, CA: 800-423-0150 • Fax: 864-834-3518 • www.tsbrass.com



ITEM NO.	SALES NO.	DESCRIPTION
1	B-0107	1.15 GPM Spray Valve
2	010476-45	#27 Washer
3	000907-45	Spray Valve Hold Down Ring
4	002987-40	Grip Handle
5	001014-45	Washer, Hose Barrel
6	B-0044-H2A	44" Stainless Steel Flex Hose, Less Handle
7	000888-45	EasyInstall Overhead Spring
8	000821-40	Spring Body
9	B-0109-01	6" Wall Bracket
10	004R	Finger Hook
11	000372-40	3/8" NPT x 24" Riser
12	062X-V15	12" Swing Nozzle w/ 1.5 GPM VR Aerator
13	B-0155-LNEZ	EasyInstall Add-On Faucet w/ Quarter-Turn Eterna Cartridge w/ Spring Check, Handle, Blue Index & Screw, RTC
14	000358-40	Nipple, 3/8" NPT x 3"
15	EZ-K	EasyInstall Kit: Nut, Bushing, O-ring & Lock Washer
16	001065-45	O-Ring
17	014200-45	Star Washer, Anti-Rotation
18	018506-19NS	Blue Button Index, Press-in
19	000925-45	Lab Handle Screw
20	001638-45NS	Lever Handle (New Style)
21	012442-40NS	Quarter-Turn Eterna Cartridge w/ Spring Check, LTC
22	002711-40NS	Quarter-Turn Eterna Cartridge w/ Spring Check, Handle, Blue Index & Screw, LTC
23	001019-45	Coupling Nut Washer
24	00AA	1/2" NPT Female Eccentric Flange
25	012443-40NS	Quarter-Turn Eterna Cartridge w/ Spring Check, RTC
26	002712-40NS	Quarter-Turn Eterna Cartridge w/ Spring Check, Handle, Red Index & Screw, RTC
27	001193-19NS	Red Button Index, Press-in
28	B-0199-06-WS	VR 1.5 GPM Aerator, 55/64-27 UN Female w/ Key

015425-45

Vandal Resistant Key

Product Specifications:

Pre-Rinse Unit: EasyInstall 8" Deck Mount Mixing Faucet, Quarter-Turn Eterna Cartridges w/ Spring Checks, Lever Handles, Add-On Faucet, 12" Swing Spout w/ 1.5 GPM Aerator, 44" Flexible Stainless Steel Hose, 1.15 GPM Spray Valve, 6" Wall Bracket & 1/2" NPT Female Inlets

Product Compliance:

ASME A112.18.1 / CSA B125.1
NSF 61 - Section 9
NSF 372 (Low Lead Content)
2019 DOE PRSV - Class II
SASO (Saudi Arabia)