



Architect/Engineering Specifications:

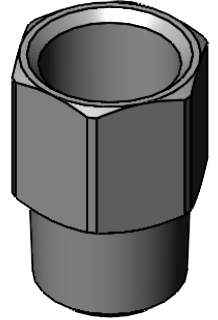
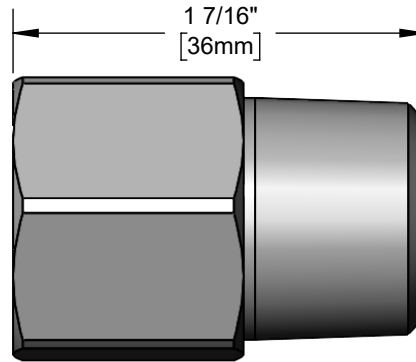
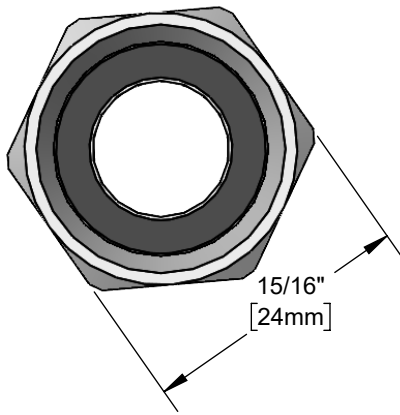
Rough chrome plated adapter with G1/2 (1/2" BSPP) female thread, 1/2" NPT male thread and rubber sealing washer. Certified to NSF 61 - Section 9 and NSF 372.

Job Name _____

Model Specified _____ Quantity _____

Variations Specified _____

Date _____



Features & Benefits:

- Adapter
- G1/2 (1/2" BSPP) female thread
- 1/2" NPT male thread
- Material: Rough chrome plated brass

Product Compliance:

- NSF 61 - Section 9
- NSF 372 (Low Lead Content)



Warranty: One Year (Limited)

Performance Data:

- N/A

