



**Architect/Engineering Specifications:**

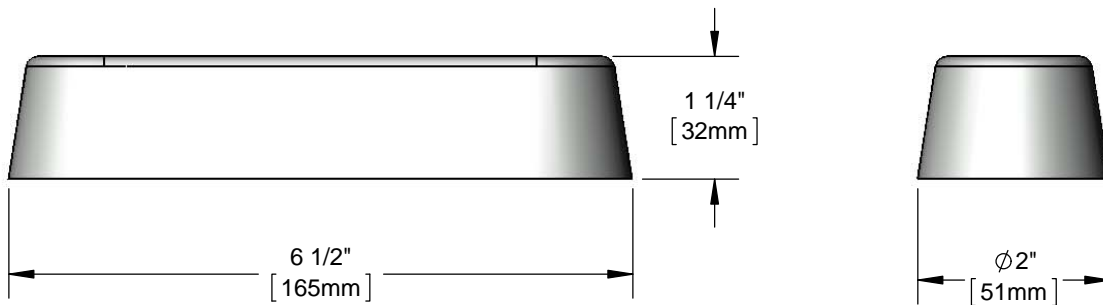
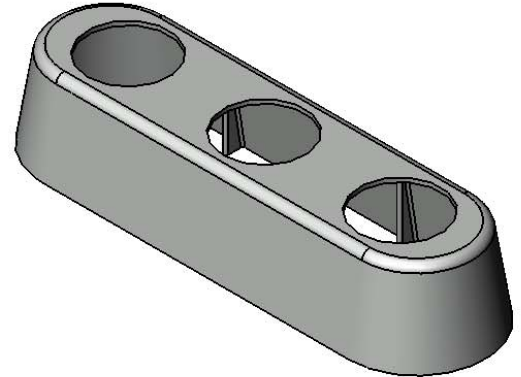
Polished chrome plated escutcheon for 3 1/2" c/c workboard faucets with T&S Eterna or Cerama cartridges.

Job Name \_\_\_\_\_

Model Specified \_\_\_\_\_ Quantity \_\_\_\_\_

Variations Specified \_\_\_\_\_

Date \_\_\_\_\_



**Features & Benefits:**

- Escutcheon for 3 1/2" workboard faucets with either Eterna or Cerama cartridges
- Material: Polished chrome plated metal

**Product Compliance:**

- N/A

**Warranty:** One Year (Limited)

**Performance Data:**

- N/A

