



T&S BRASS AND BRONZE WORKS, INC.

2 Saddleback Cove / P.O. Box 1088
Travelers Rest, SC 29690

Model No.

00QQ

Item No.

Travelers Rest, SC: 800-476-4103 • Simi Valley, CA: 800-423-0150 • Fax: 864-834-3518 • www.tsbrass.com

This Space for Architect/Engineer Approval

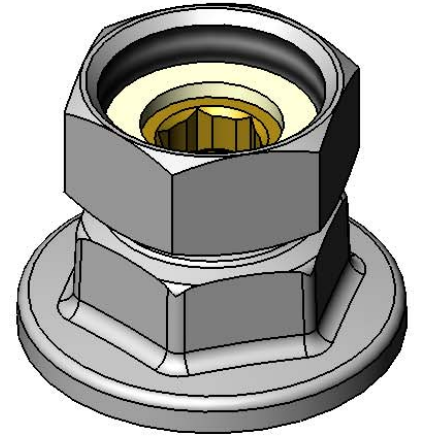
Job Name _____ Date _____

Model Specified _____ Quantity _____

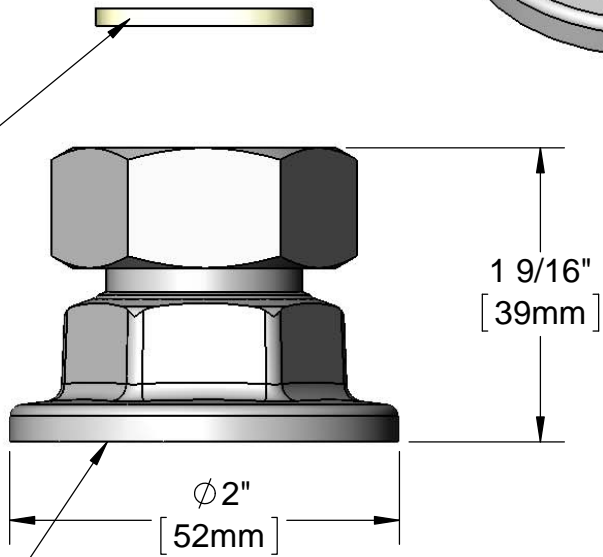
Customer/Wholesaler _____

Contractor _____

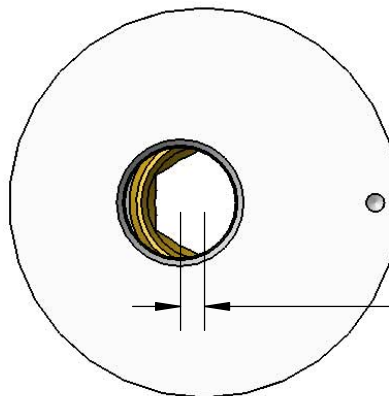
Architect/Engineer _____



Sealing Washer



3/8" NPT Female



1/8"
[3mm]
Offset Allows for ± 1/4" c/c Mounting

Product Specifications:
3/8" NPT Female Eccentric Flange Assembly w/ Washer,
Chrome Finish

Drawn

DHL

Checked

JRM

Approved

JHB

Scale:

1:1

Date:

11/21/11