



# T&S BRASS AND BRONZE WORKS, INC.

2 Saddleback Cove / P.O. Box 1088  
Travelers Rest, SC 29690

Model No.

**UMPM-6DLN-08**

Item No.

Travelers Rest, SC: 800-476-4103 • Simi Valley, CA: 800-423-0150 • Fax: 864-834-3518 • www.tsbrass.com



This Space for Architect/Engineer Approval

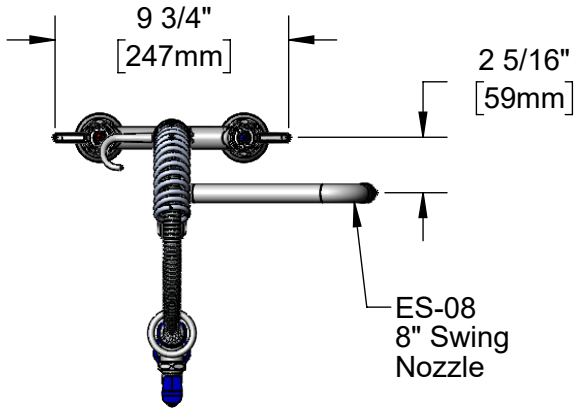
Job Name \_\_\_\_\_ Date \_\_\_\_\_

Model Specified \_\_\_\_\_ Quantity \_\_\_\_\_

Customer/Wholesaler \_\_\_\_\_

Contractor \_\_\_\_\_

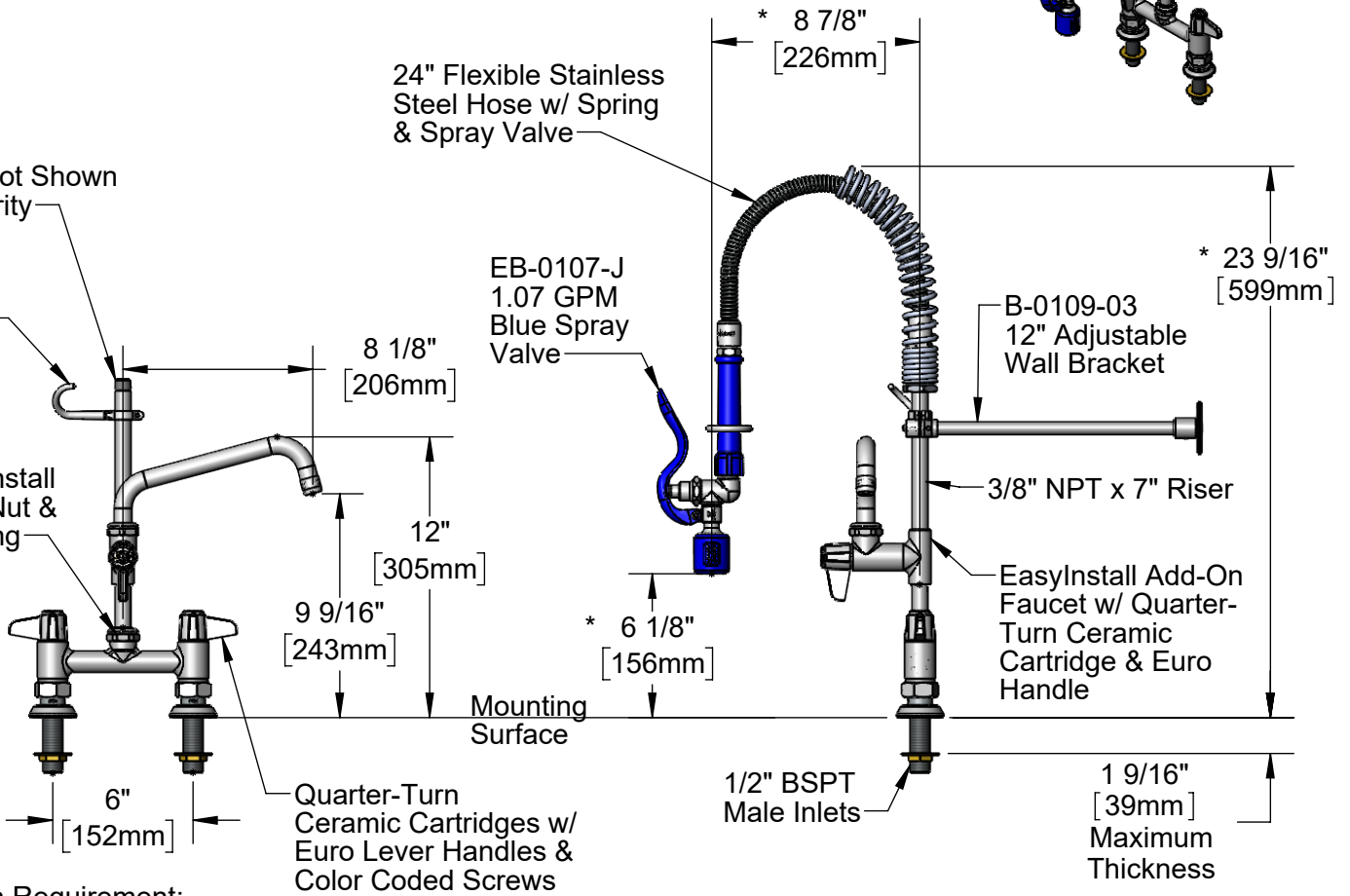
Architect/Engineer \_\_\_\_\_



Items Not Shown  
For Clarity

Finger  
Hook

EasyInstall  
Lock Nut &  
Bushing



Rough-In Requirement:  
(2)  $\varnothing$  1" [25mm] Holes

\* Dimensions Will Vary  $\pm$  1" Each Installation

Product Specifications:

EasyInstall Pre-Rinse Unit:

6" Deck Mount Mixing Faucet, Quarter-Turn Ceramic Cartridges, Add-On  
Faucet, 8" Swing Nozzle, Compact Spring & Hose, 1.07 GPM Spray Valve,  
12" Wall Bracket, Lever Handles and 1/2" BSPT Male Inlets

Product Compliance:

WRAS Approved Product (UK)



# T&S BRASS AND BRONZE WORKS, INC.

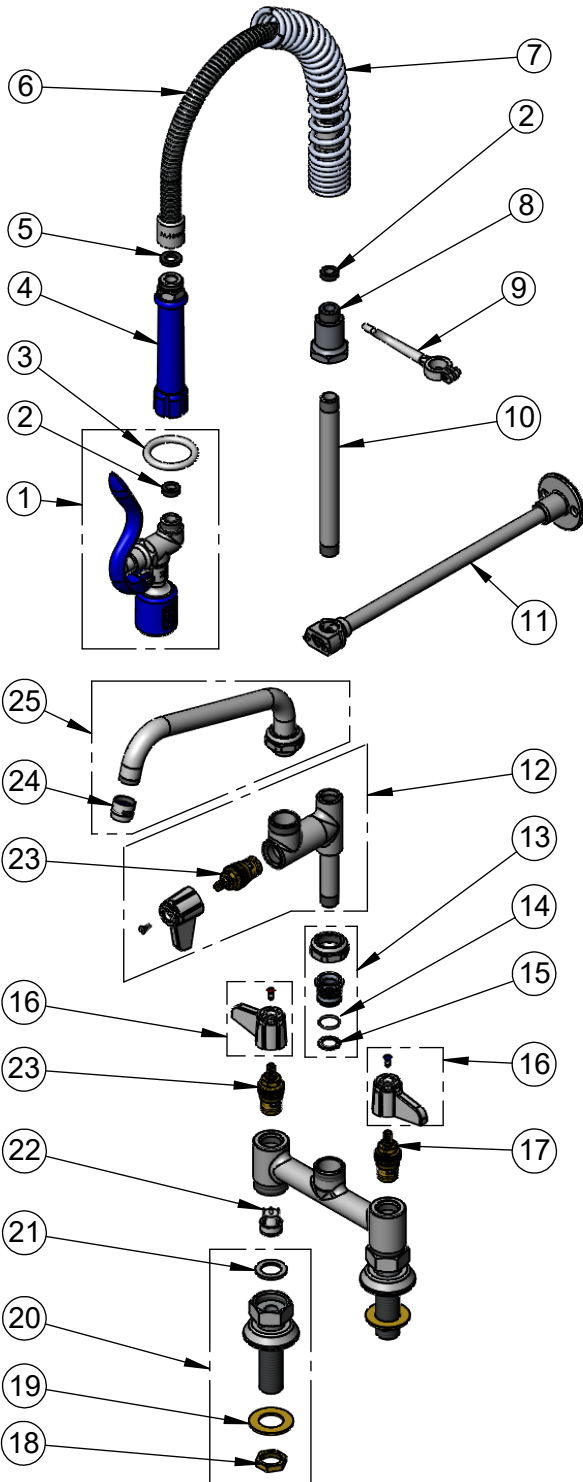
2 Saddleback Cove / P.O. Box 1088  
Travelers Rest, SC 29690

Model No.

**UMPM-6DLN-08**

Item No.

Travelers Rest, SC: 800-476-4103 • Simi Valley, CA: 800-423-0150 • Fax: 864-834-3518 • www.tsbrass.com



ITEM NO.	SALES NO.	DESCRIPTION
1	EB-0107-J	1.07 GPM Blue Spray Valve
2	010476-45	#27 Washer
3	000907-45	Spray Valve Hold Down Ring
4	011482-40	Blue Grip Handle
5	001014-45	Washer, Hose Barrel
6	B-0024-H2A	24" Flex Hose Less Handle
7	016795-45	Compact Spring
8	000821-40	Spring Body
9	004R	Finger Hook
10	000363-40	Nipple, 3/8" NPT x 7"
11	B-0109-03	12" Wall Bracket
12	EU-AF00	Add-On Faucet
13	EU-EZ-K	Euro EasyInstall Retro-Fit Kit
14	001062-45	O-Ring
15	014200-45	Star Washer, Anti-Rotation
16	E-HDL-L	Euro Lever Hand w/ Color Coded Screws
17	013788-45	equip, Quarter-Turn Ceramic Cartridge, LTC
18	002954-45	Shank Lock Nut
19	000999-45	Brass Lock Washer
20	011473-40	UK Inlet Flange
21	010569-45	Washer, Inlet Flange Coupling (UK)
22	013840-45	20mm Check Valve
23	013787-45	equip, Quarter-Turn Ceramic Cartridge, RTC
24	014250-45	Laminar Full Flow Outlet Device
25	ES-08	8" Swing Nozzle, Euro

**Product Specifications:**

EasyInstall Pre-Rinse Unit:  
6" Deck Mount Mixing Faucet, Quarter-Turn Ceramic Cartridges, Add-On  
Faucet, 8" Swing Nozzle, Compact Spring & Hose, 1.07 GPM Spray Valve,  
12" Wall Bracket, Lever Handles and 1/2" BSPT Male Inlets

**Product Compliance:**

WRAS Approved Product (UK)