



T&S BRASS AND BRONZE WORKS, INC.
 2 Saddleback Cove / P.O. Box 1088
 Travelers Rest, SC 29690

Model No.
EU-0199-M24-V05

Item No.

Travelers Rest, SC: 800-476-4103 • Simi Valley, CA: 800-423-0150 • Fax: 864-834-3518 • www.tsbrass.com

This Space for Architect/Engineer Approval

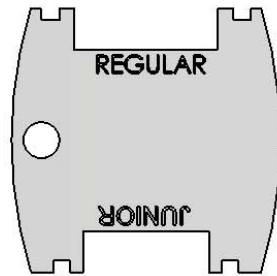
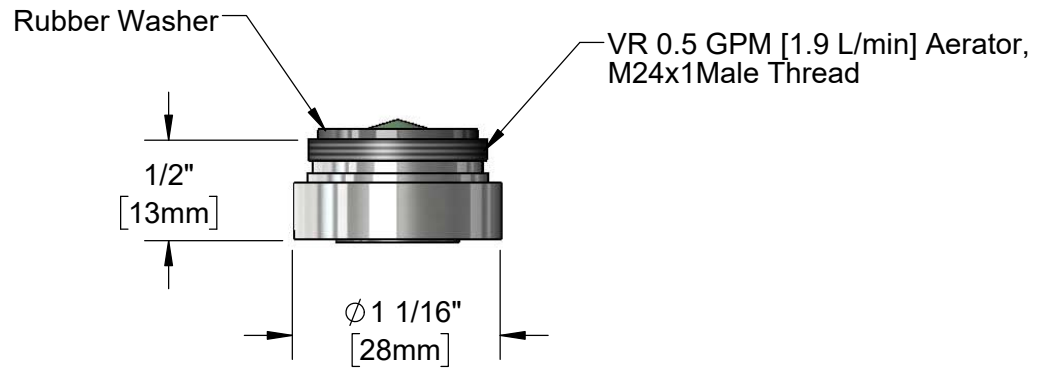
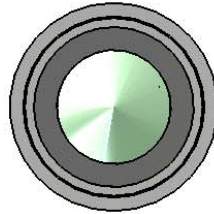
Job Name _____ Date _____

Model Specified _____ Quantity _____

Customer/Wholesaler _____

Contractor _____

Architect/Engineer _____



015425-45
 Vandal Resistant Key
 (Included)

Product Specifications:
 VR 0.5 GPM [1.9 L/min] Non-Aerated Spray Device w/ VR Key,
 M24x1 Male Thread

Product Compliance: