



**Limited One Year Warranty**  
T&S warrants to the original purchaser (other than for purposes of resale) that such product is free from defects in material and workmanship for a period of one (1) year from the date of purchase. During this one-year warranty period, if the product is found to be defective, T&S shall, at its options, repair and/or replace it. To obtain warranty service, products must be returned to...

T&S Brass and Bronze Works, Inc.  
Attn: Warranty Repair Department  
2 Saddleback Cove  
Travelers Rest, SC 29690

Shipping, freight, insurance, and other transportation charges of the product to T&S and the return of repaired or replaced product to the purchaser are the responsibility of the purchaser. Repair and/or replacement shall be made within a reasonable time after receipt by T&S of the returned product. This warranty does not cover items which have received secondary finishing or have been altered or modified after purchase, or for defects caused by physical abuse to or misuse of the product, or shipment of the products.

Any express warranty not provided herein, and any remedy for Breach of Contract which might arise, is hereby excluded and disclaimed. Any implied warranties of merchantability or fitness for a particular purpose are limited to one year in duration. Under no circumstances shall T&S be liable for loss of use or any special consequential costs, expenses or damages.

Some states do not allow limitations on how long and implied warranty lasts or the exclusion or limitation of incidental or consequential damages, so the above limitations or exclusions may not apply to you. Specific rights under this warranty and other rights vary from state to state.

P/N: 098-002314-45 Rev.2  
Date: 981124  
Drawn: CW  
Checked: MAB 4/5/99  
Approved: MW 4/6/99

# Installation and Maintenance Instructions



## Parts Kit (Spindle Assemblies) B-5K

**Deutsch: Installations- und  
Wartungsanleitungen**

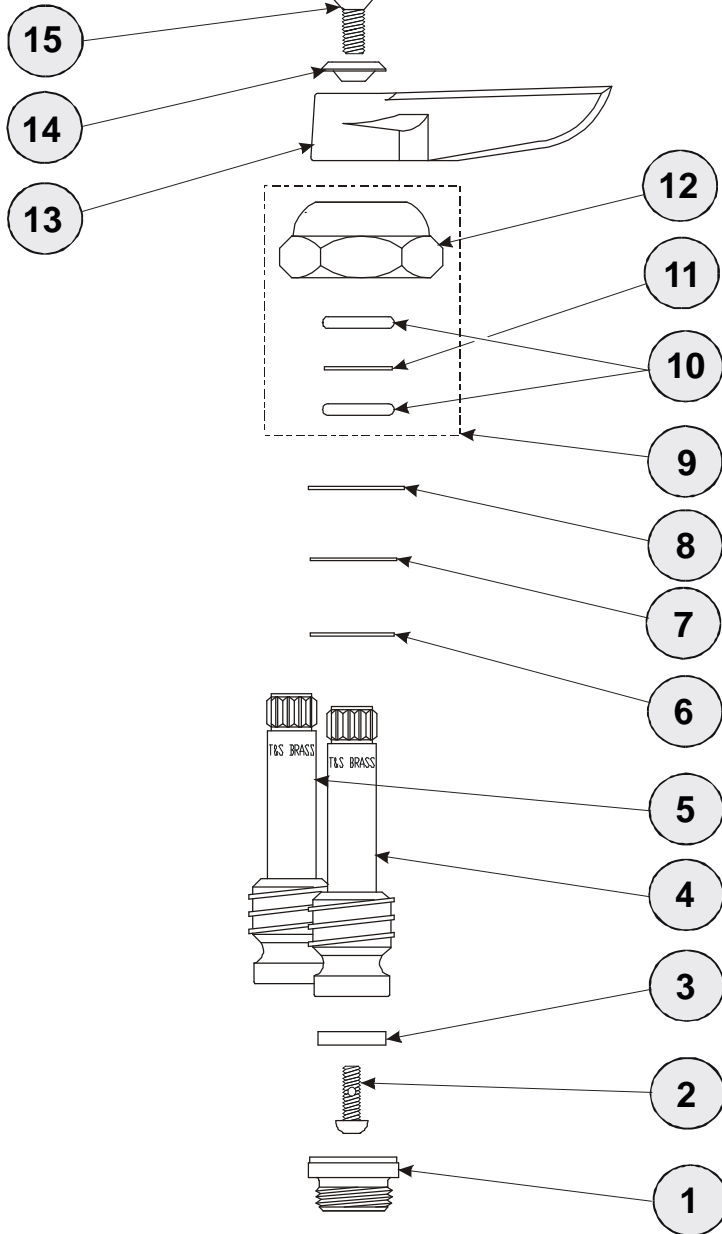
**Español: la Instalación y las  
Instrucciones de  
Mantenimiento**

**Français: les Instructions  
d'Installation et  
d'Entretien**

# Exploded View

PARTS NOT INCLUDED IN KIT:

PARTS INCLUDED IN KIT:



## Part Number Guide

### ***Repair Parts Kit***

1	Seat, Removable	000761-20
2	Screw, Seat Washer	000933-45
3	Washer, Seat	001087-45
4	Spindle, RH Insert	000795-25
5	Spindle, LH Insert	000796-25
6	Washer, Brass	000976-45
7	Washer, Rubber	001042-45
8	Washer, S/S	002726-45
9	Asm, Bonnet	010197-25
10	O-Ring, Diverter Stem	001075-45
11	Washer, Bonnet	009752-45
12	Bonnet	009750-25

### ***Parts Not Included in Kit***

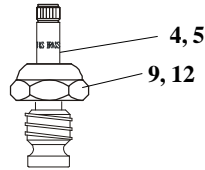
13	Handle, Lever Hot	001637-45
	Handle, Lever Cold	001636-45
14	Button, Index Hot (Red)	001661-45
	Button, Index Cold (Blue)	001660-45
15	Screw, Handle	000922-45

# General Instructions

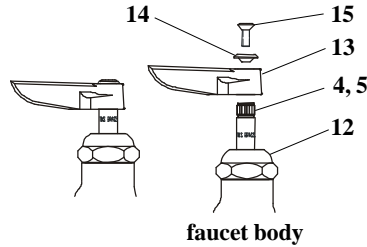
## To replace worn parts:

1. Unscrew and remove no.15, no.14 and no.13 from no.4 and/or no.5.

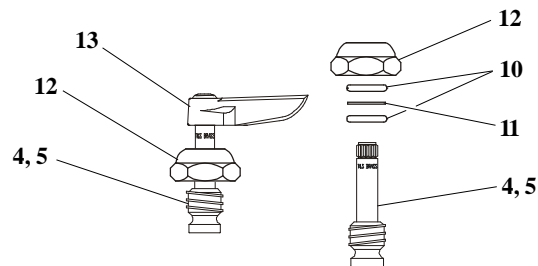
2. Unscrew no.12 from faucet body, and remove no.9.



faucet body



3. Using no.13 as a wrench, unscrew no.4 or no.5 from faucet body.



4. Pull no.12, no.13 and no.4 or no.5 from faucet body, unscrew no.12 and remove no.10 and no.11.

5. Replace worn parts with new parts from **B-5-K** parts kit.

6. Reassemble parts in reverse order, making sure all new repair parts are in place.

7. Turn on water supply and check for leaks.

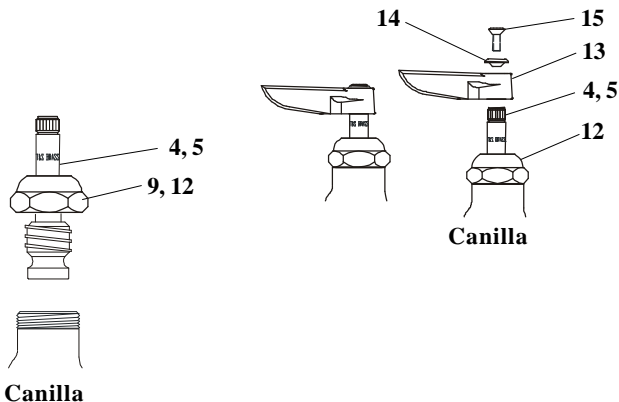
*Note: This procedure is the same for both hot and cold side replacement.*

# Instrucciones Generales

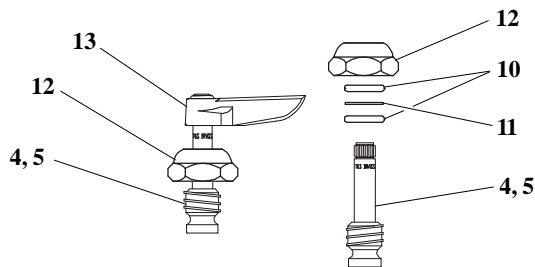
## Para reemplazar partes desgastadas:

1. Destornille y remuéva las partes No.15, No.14 y No.13 de la partes No.4 y / o No.5.

2. Destornille la parte No.12 de la canilla y remuéva la parte No.9.



3. Usando la parte No.13 como una llave destornille la parte No.4 o No.5 de la canilla.



4. Hale las partes No.12, No.13 y No.4 o No.5 de la canilla, destornille la parte No.12 y remuéva las partes No.12 y No.11.

5. Reemplaze las partes desgastadas con partes nuevas del estuche de reparos **B-5-K**.

6. Ensamble de nuevo en reversa, asegurándose que todos las partes nuevas esten en su sitio.

7. Abra la fuente de agua e inspeccione por filtraciones.

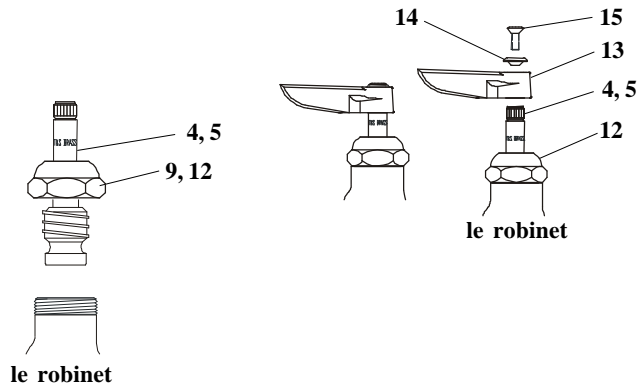
*Nota: Este procedimiento es similar para ambos lados caliente y frío.*

# Instructions Générales

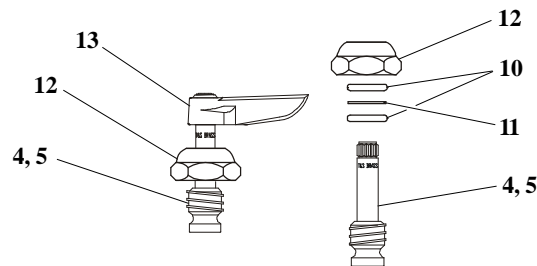
## Pour remplacer les parties usées:

1. Dévisser et enlever N°.15, N°.14 et N°.13 de N°.4 et/ou N°.5.

2. Dévisser N°.12 du robinet, et enlever N°.9.



3. En utilisant N°.13 comme une clef anglaise, dévisser N°.4 ou N°.5 du robinet.



4. Tirer N°.12, N°.13 et N°.4 ou N°.5, du robinet, dé N°.12 et enlever de N°.10 et N°.11.

5. Remplacer les parties usées avec les nouvelles parties de la trousse à outils **B-5-K**.

6. Rémonter les parties en l'ordre inverse, soyez certain que tous les nouvelles parties de la réparation rester à ses places correctes.

7. Recommencer l'eau et vérifier s'il y a des fuites.

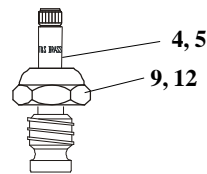
*Noter: Ce processus être le même pour remplacer les côté chauds et froids, tous les deux.*

# Allgemeine Anleitungen

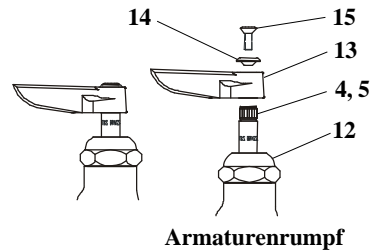
## Ersatz von abgenutzten Teilen:

1. Nr. 15, Nr. 14 und Nr. 13 von Nr. 4 bzw. Nr. 5 abschrauben und entfernen.

2. Nr. 12 von dem Armaturenumpf abschrauben und Nr. 9 entfernen.

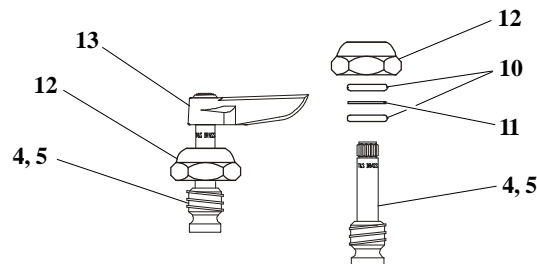


Armaturenumpf



Armaturenumpf

3. Unter Benutzung von Nr.13 als Schraubenschlüssel Nr. 4 von Nr. 5 des Armaturenumpf abschrauben.



4. Nr. 12, Nr. 13 und Nr. 4 oder Nr.5 von dem Armaturenumpf abziehen, Nr.12 abschrauben und Nr. 10 und Nr. 11 entfernen.

5. Die Verschleißteile durch neue Teile aus dem **B-5-K** ersetzen.

6. Die Teile in umgekehrter Reihenfolge wieder zusammensetzen, wobei sichergestellt werden muß, daß sich alle neuen Teil am richtigen Platz befinden.

7. Wasserleitung andrehen und auf Dichtigkeit prüfen.

**Anmerkung:** Diese Vorgehensweise gilt gleichermaßen für den Ersatz auf der Warm- wie auf der Kaltwasserseite.

## RELATED T&S BRASS PRODUCT LINE



**B-20-K  
B-1100 Parts Kit**



**B-21-K  
Eterna Cartridge  
Replacement**

---

## T&S BRASS AND BRONZE WORKS, INC.

A firm commitment to application-engineered plumbing products

2 Saddleback Cove, P.O. Box 1088,  
Travelers Rest, SC 29690

Phone: (864) 834-4102  
Fax: (864) 834-3518

E-mail: [tsbrass@tsbrass.com](mailto:tsbrass@tsbrass.com)

T & S Brass-Europe  
'De Veenhoeve'  
Oude Nieuwveenseweg 84  
2441 CW Nieuwveen  
The Netherlands

