



T&S BRASS AND BRONZE WORKS, INC.

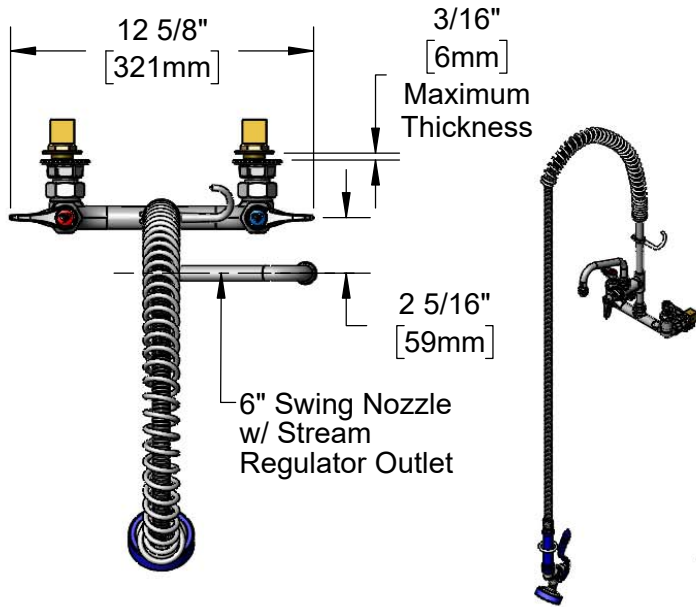
2 Saddleback Cove / P.O. Box 1088
Travelers Rest, SC 29690

Model No.

P3-8WOSN06PZLUA

Item No.

Travelers Rest, SC: 800-476-4103 • Simi Valley, CA: 800-423-0150 • Fax: 864-834-3518 • www.tsbrass.com



This Space for Architect/Engineer Approval

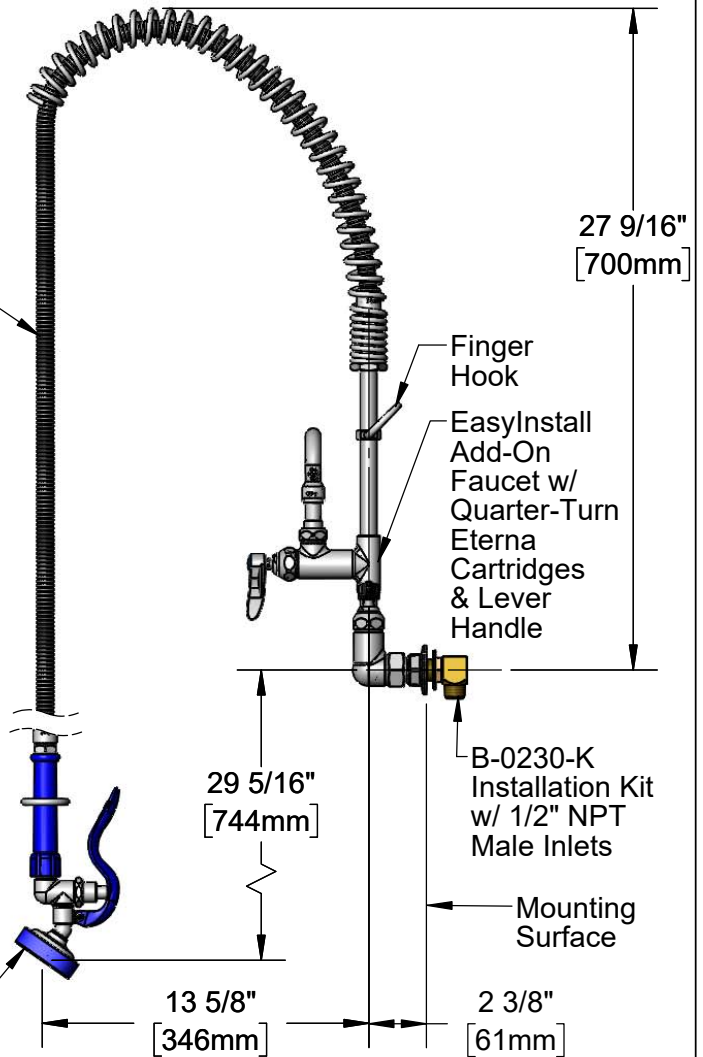
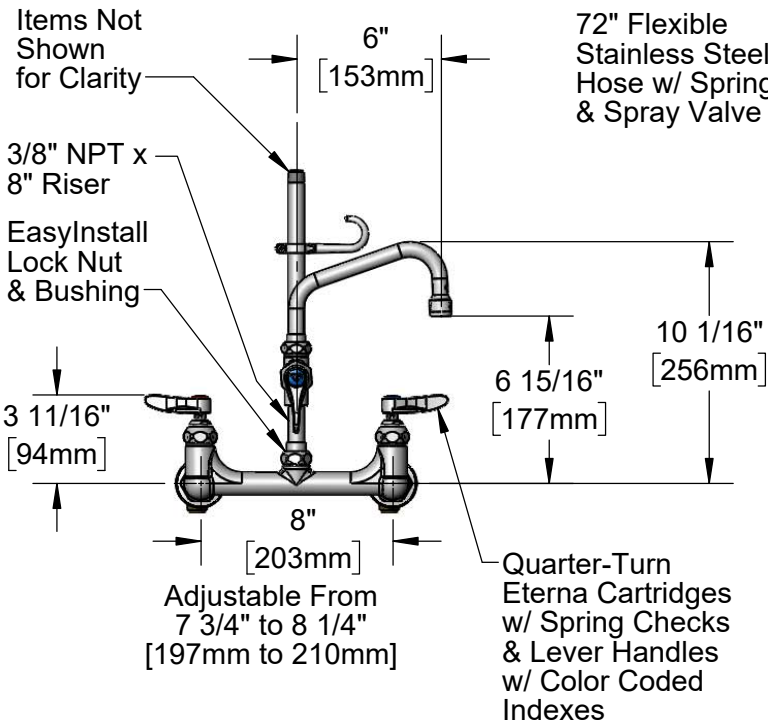
Job Name _____ Date _____

Model Specified _____ Quantity _____

Customer/Wholesaler _____

Contractor _____

Architect/Engineer _____



Product Specifications:

Pre-Rinse Unit: EasyInstall 8" Wall Mount Mixing Faucet, Quarter-Turn Eterna Cartridges w/ Spring Checks, Lever Handles, Add-On Faucet, 6" Swing Nozzle, 8" Riser, 72" Flexible Stainless Steel Hose, High Flow Angled Spray Valve (Blue) & Installation Kit w/ 1/2" NPT Male Inlets

Product Compliance:

ASME A112.18.1 / CSA B125.1
NSF 61 Exempt (Non-Potable)
2019 DOE PRSV Non-Compliant



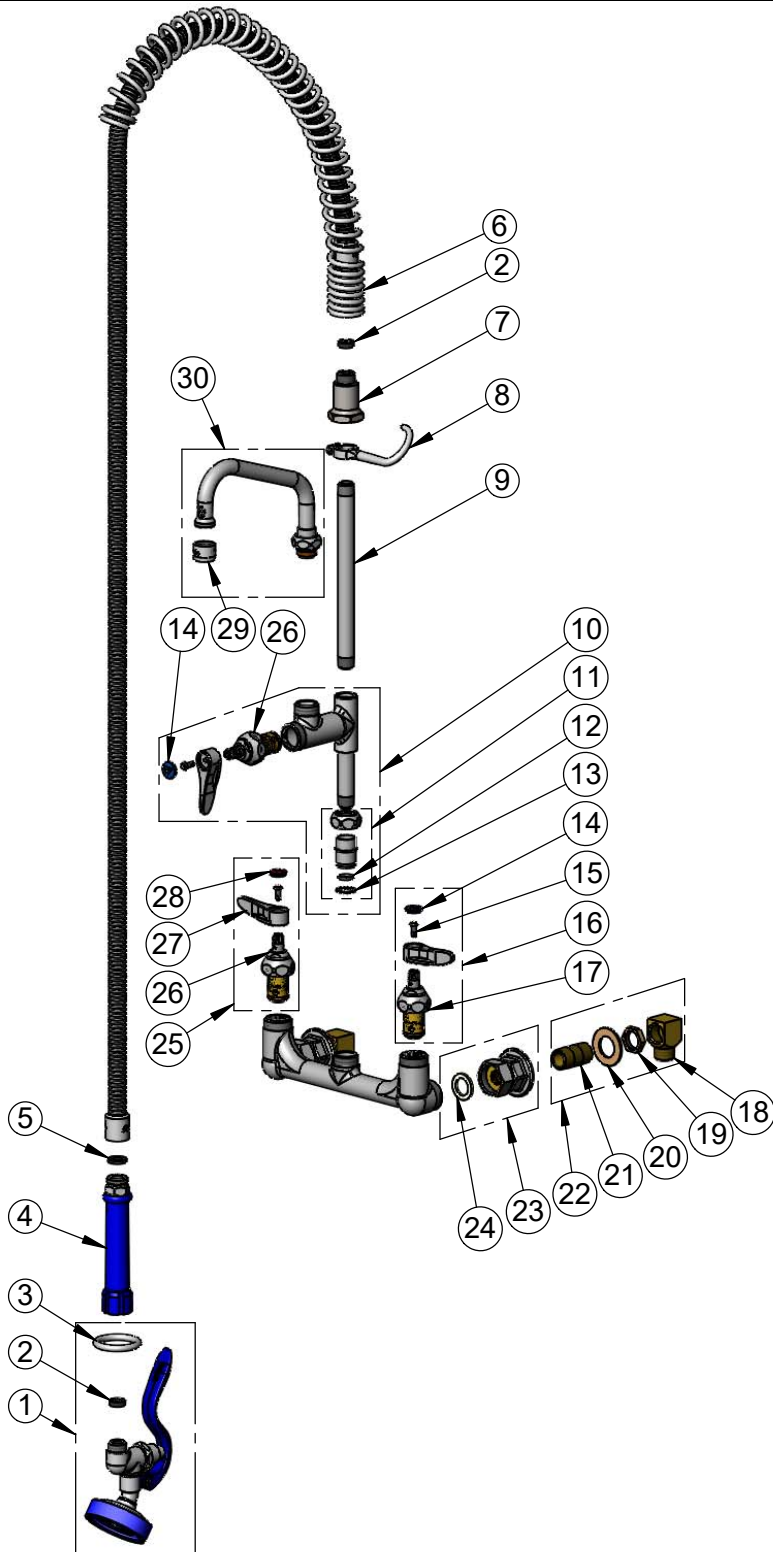
T&S BRASS AND BRONZE WORKS, INC.

2 Saddleback Cove / P.O. Box 1088
Travelers Rest, SC 29690

Model No.
P3-8WOSN06PZLUA

Item No.

Travelers Rest, SC: 800-476-4103 • Simi Valley, CA: 800-423-0150 • Fax: 864-834-3518 • www.tsbrass.com



| ITEM NO. | SALES NO. | DESCRIPTION |
|----------|-------------|---|
| 1 | EB-0107-035 | High Flow Angled Spray Valve |
| 2 | 010476-45 | #27 Washer |
| 3 | 000907-45 | Spray Valve Hold Down Ring |
| 4 | 011482-40 | Blue Grip Handle |
| 5 | 001014-45 | Washer, B-0100 Hose Barrel |
| 6 | 000888-45 | EasyInstall Overhead Spring |
| 7 | 000821-40 | Spring Body |
| 8 | 004R | Finger Hook |
| 9 | 078X | Nipple, 3/8" NPT x 8" |
| 10 | B-0155-LNEZ | EasyInstall Add-On Faucet w/ Quarter Turn Eterna Cartridge, RTC & Lever Handle, Less Nozzle |
| 11 | EZ-K | EasyInstall Kit: Nut, Bushing, O-Ring & Lock Washer |
| 12 | 001065-45 | O-Ring |
| 13 | 014200-45 | Star Washer, Anti-Rotation |
| 14 | 018506-19NS | Blue Button Index, Press-in |
| 15 | 000925-45 | Lab Handle Screw |
| 16 | 002711-40NS | Quarter-Turn Eterna Cartridge, LTC w/ Spring Check, Handle, Index & Screw |
| 17 | 012442-40NS | Quarter-Turn Eterna Cartridge, LTC w/ Spring Check |
| 18 | B-1100-K | 1/2" NPT Male Inlet Elbow |
| 19 | 002954-45 | Shank Lock Nut |
| 20 | 000999-45 | Brass Lock Washer |
| 21 | 013357-20 | 1/2" NPT x 1 5/8" Close Nipple |
| 22 | B-0230-K | Short Elbow Installation Kit |
| 23 | 00AA | 1/2" NPT Female Eccentric Flange |
| 24 | 001019-45 | Coupling Nut Washer |
| 25 | 002712-40NS | Quarter-Turn Eterna Cartridge, RTC w/ Spring Check, Handle, Index & Screw |
| 26 | 012443-40NS | Quarter-Turn Eterna Cartridge, RTC w/ Spring Check |
| 27 | 001638-45NS | Lever Handle (New Style) |
| 28 | 001193-19NS | Red Button Index, Press-in |
| 29 | B-PT | Full Flow Stream Regulator, 55/64-27 |
| 30 | 059X | 6" Swing Nozzle w/ Stream Regulator Outlet |

Product Specifications:

Pre-Rinse Unit: EasyInstall 8" Wall Mount Mixing Faucet, Quarter-Turn Eterna Cartridges w/ Spring Checks, Lever Handles, Add-On Faucet, 6" Swing Nozzle, 8" Riser, 72" Flexible Stainless Steel Hose, High Flow Angled Spray Valve (Blue) & Installation Kit w/ 1/2" NPT Male Inlets

Product Compliance:

ASME A112.18.1 / CSA B125.1
NSF 61 Exempt (Non-Potable)
2019 DOE PRSV Non-Compliant