



Portable Sink Accessories
TPS1000-5GW

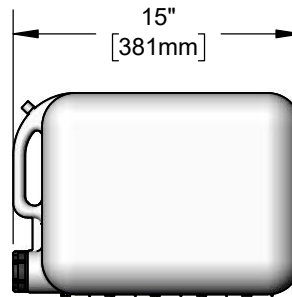
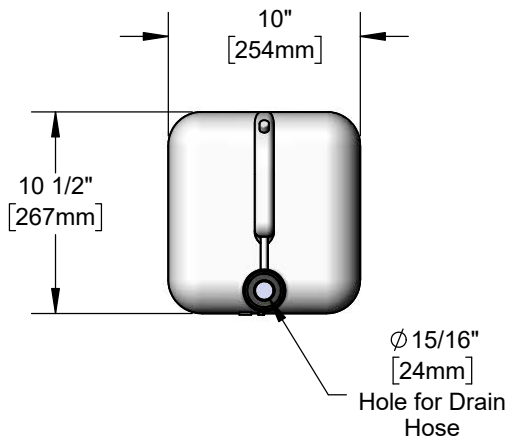
TAG:

Wastewater Container

Architect/Engineering Specifications:

Plastic 5 gallon wastewater tank.

Job Name _____
 Model Specified _____ Quantity _____
 Variations Specified _____
 Date _____



Features & Benefits:

- 5 gallon wastewater tank
- Ø 15/16" hole for drain hose
- Material: Plastic

Product Compliance:

- N/A

Warranty: One Year (Limited)

Performance Data:

- N/A



T&S BRASS AND BRONZE WORKS, INC.



• 2 Saddleback Cove • Travelers Rest, SC 29690
 Ph 800-476-4103 • Fax 864-834-3518
 • Simi Valley, CA • Ph 800-423-0150 • www.tsbrass.com

Date: 10/07/20