



Electronic Faucets

EC-3105-4W-S

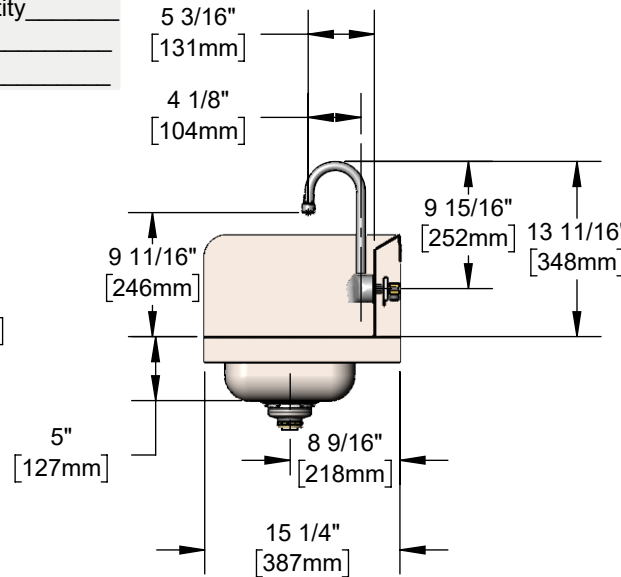
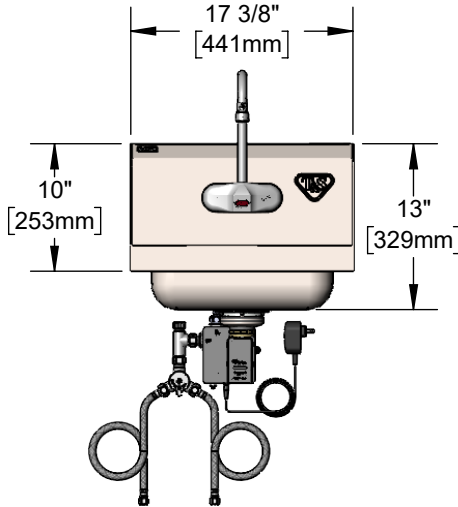
TAG:

Hand Sink w/ Electronic Faucet

Architect/Engineering Specifications:

Stainless steel hand sink with side splash shields and 4" wall mount electronic sensor faucet with polished chrome plated brass body and 4 1/8" rigid gooseneck, 2.2 GPM vandal resistant aerator, AC/DC control module with internal flow control setting switches, temperature control mixing valve with check valves, 18" flexible stainless steel supply hoses with 3/8" compression connections and 3 1/2" sink drain. Certified to ASME A112.18.1/CSA B125.1, ASME A112.18.2/CSA B125.2, ASME A112.19.3/CSA B45.4, NSF 61-Section 9, NSF 372 and UL 1951. Meets ADA ANSI/ICC A117.1 requirements.

Job Name _____
 Model Specified _____ Quantity _____
 Variations Specified _____
 Date _____



Features & Benefits:

- Stainless steel wall mount hand sink w/ side splash shields and 3 1/2" drain
- 4" c/c wall mount faucet w/ polished chrome plated brass body
- 4 1/8" rigid gooseneck
- 2.2 GPM vandal resistant aerator, Series 6 (B-0199-06)
- Water resistant control module w/ internal flow control switches for adjusting auto time out & shut off delay settings
- Optional auto flush feature flows water for 30 seconds after every 12 inactive hours
- Optional metering mode
- Plug in AC transformer or (4) AA batteries (DC) power options
- Mechanical temperature mixing valve w/ check valves
- Two flexible stainless steel supply hoses w/ 3/8" compression connections
- Low battery LED indicator light
- Material: Polished chrome plated brass body and tubular spout, stainless steel hand sink

Product Compliance:

- ASME A112.18.1 / CSA B125.1
- ASME A112.19.3 / CSA B45.4 (Sink & Drain)
- NSF 61 - Section 9
- NSF 372 (Low Lead Content)
- UL 1951
- ANSI A117.1 (ADA)
- NSF / ANSI 2 (Sink & Drain)
- ASME A112.18.2 / CSA B125.2 (Drain)



ADA Compliant



Warranty:

- Sink: One Year (Limited)
- Faucet: Three Year (Limited)

Performance Data:

- Pressure: 20 - 125 psi [1.38 - 8.62 bar]
- Temperature: 40°F - 140°F [4.44°C - 60 °C]
- Flow Rate: 2.2 GPM [8.33 L/min] @ 60 psi [4.14 bar]
- Discharge Rate: 18.00 GPM [68.14 L/min] max
- Water Consumption: @ 10 sec = .37 gal [1.40 L]
@ 15 sec = .55 gal [2.08 L]

Optional Outlets (Series 1 / VR Series 6)

GPM	Aerated	Non-Aerated (Laminar)	VR Aerated	VR Non-Aerated (VR Laminar)
0.35	N/A	<input type="checkbox"/> B-0199-01-N035	N/A	<input type="checkbox"/> B-0199-06-N035
0.5	N/A	<input type="checkbox"/> B-0199-01-N05	<input type="checkbox"/> B-0199-06-F05	<input type="checkbox"/> B-0199-06-N05
1.0	<input type="checkbox"/> B-0199-01-F10	N/A	<input type="checkbox"/> B-0199-06-F10	<input type="checkbox"/> B-0199-06-LF10
1.2	<input type="checkbox"/> B-0199-01-F12	<input type="checkbox"/> B-0199-01-LF12	<input type="checkbox"/> B-0199-06-F12	<input type="checkbox"/> B-0199-06-LF12
1.5	<input type="checkbox"/> B-0199-01-WS	<input type="checkbox"/> B-0199-29	<input type="checkbox"/> B-0199-06-WS	<input type="checkbox"/> B-0199-29VR
2.2	<input type="checkbox"/> B-0199-01	<input type="checkbox"/> B-0199-21	Standard	<input type="checkbox"/> B-0199-21-VRF



T&S BRASS AND BRONZE WORKS, INC.



• 2 Saddleback Cove • Travelers Rest, SC 29690
 Ph 800-476-4103 • Fax 864-834-3518
 • Simi Valley, CA • Ph 800-423-0150 • www.tsbrass.com

Date: 04/15/24