



# T&S BRASS AND BRONZE WORKS, INC.

2 Saddleback Cove / P.O. Box 1088  
Travelers Rest, SC 29690

Model No.

**B-1146-02A-4W-S**

Item No.

Travelers Rest, SC: 800-476-4103 • Simi Valley, CA: 800-423-0150 • Fax: 864-834-3518 • www.tsbrass.com



**ADA Compliant**

This Space for Architect/Engineer Approval

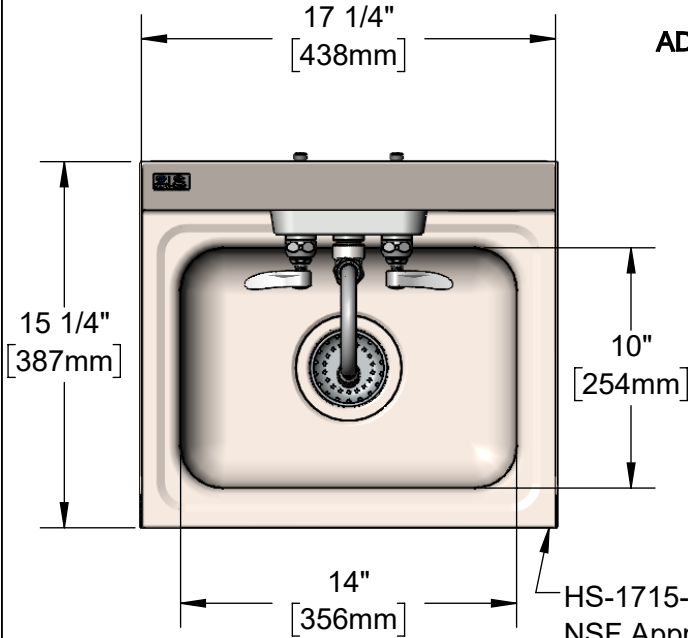
Job Name \_\_\_\_\_ Date \_\_\_\_\_

Model Specified \_\_\_\_\_ Quantity \_\_\_\_\_

Customer/Wholesaler \_\_\_\_\_

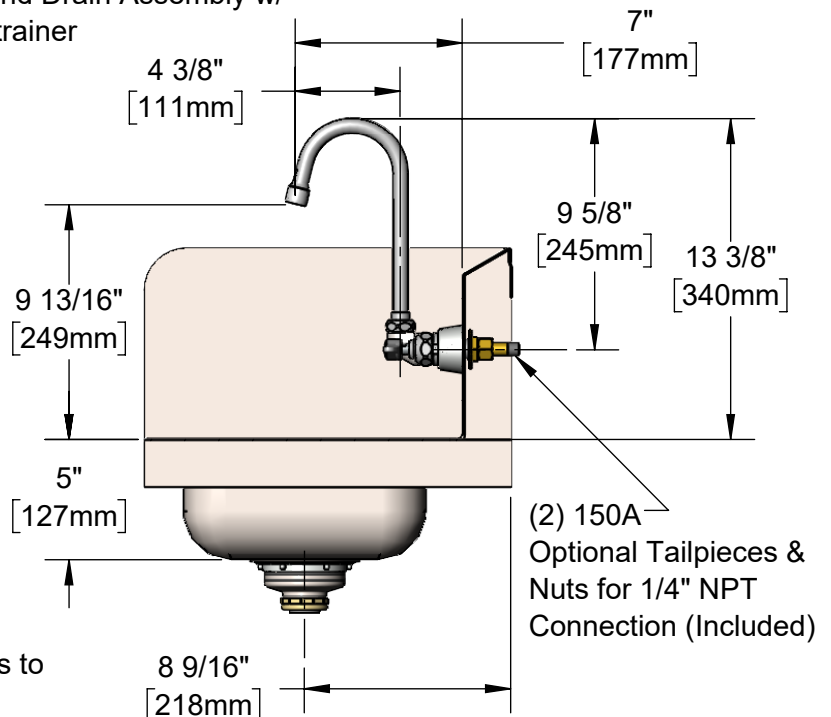
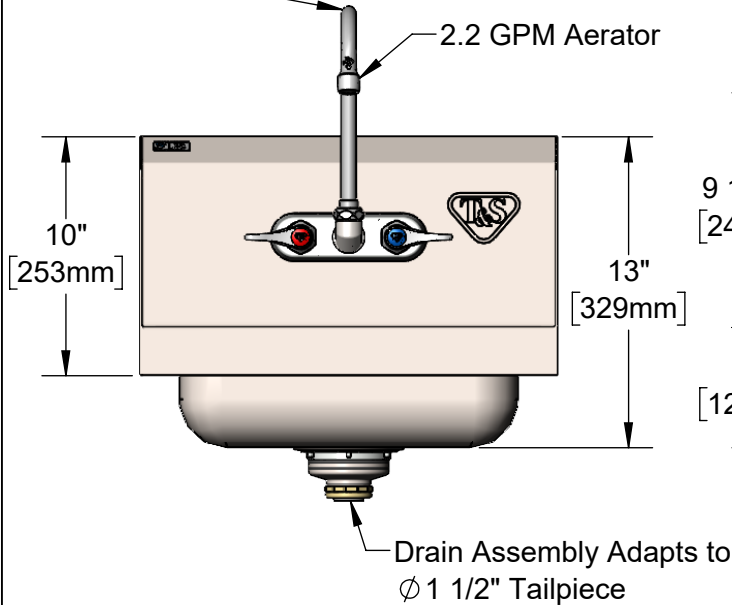
Contractor \_\_\_\_\_

Architect/Engineer \_\_\_\_\_



HS-1715-4W-S  
NSF Approved Stainless Steel Sink  
with Side Splash Shields & 3 1/2"  
Drain Hole. Supplied with Mounting  
Bracket and Drain Assembly w/  
Basket Strainer

B-1146-02A  
Manual Workboard  
Faucet



**Product Specifications:**

Hand Wash Sink w/ Manual Faucet, Stainless Steel Sink / Backsplash,  
Side Splash Shields, 3 1/2" Drain Assembly, 4" Wall Mount Workboard  
Faucet, Quarter-Turn Eterna Cartridges w/ Spring Checks, Lever Handles,  
4 3/8" Swivel/Rigid Gooseneck w/ 2.2 GPM Aerator & 1/2" NPT Male Inlets

**Product Compliance:**

ASME A112.18.1 / CSA B125.1  
ASME A112.19.3 / CSA B45.4 (Sink & Drain)  
NSF 61 - Section 9  
NSF 372 (Low Lead Content)  
ANSI A117.1 (ADA)  
NSF / ANSI 2 (Sink & Drain)  
ASME A112.18.2 / CSA B125.2 (Drain)



# T&S BRASS AND BRONZE WORKS, INC.

2 Saddleback Cove / P.O. Box 1088  
Travelers Rest, SC 29690

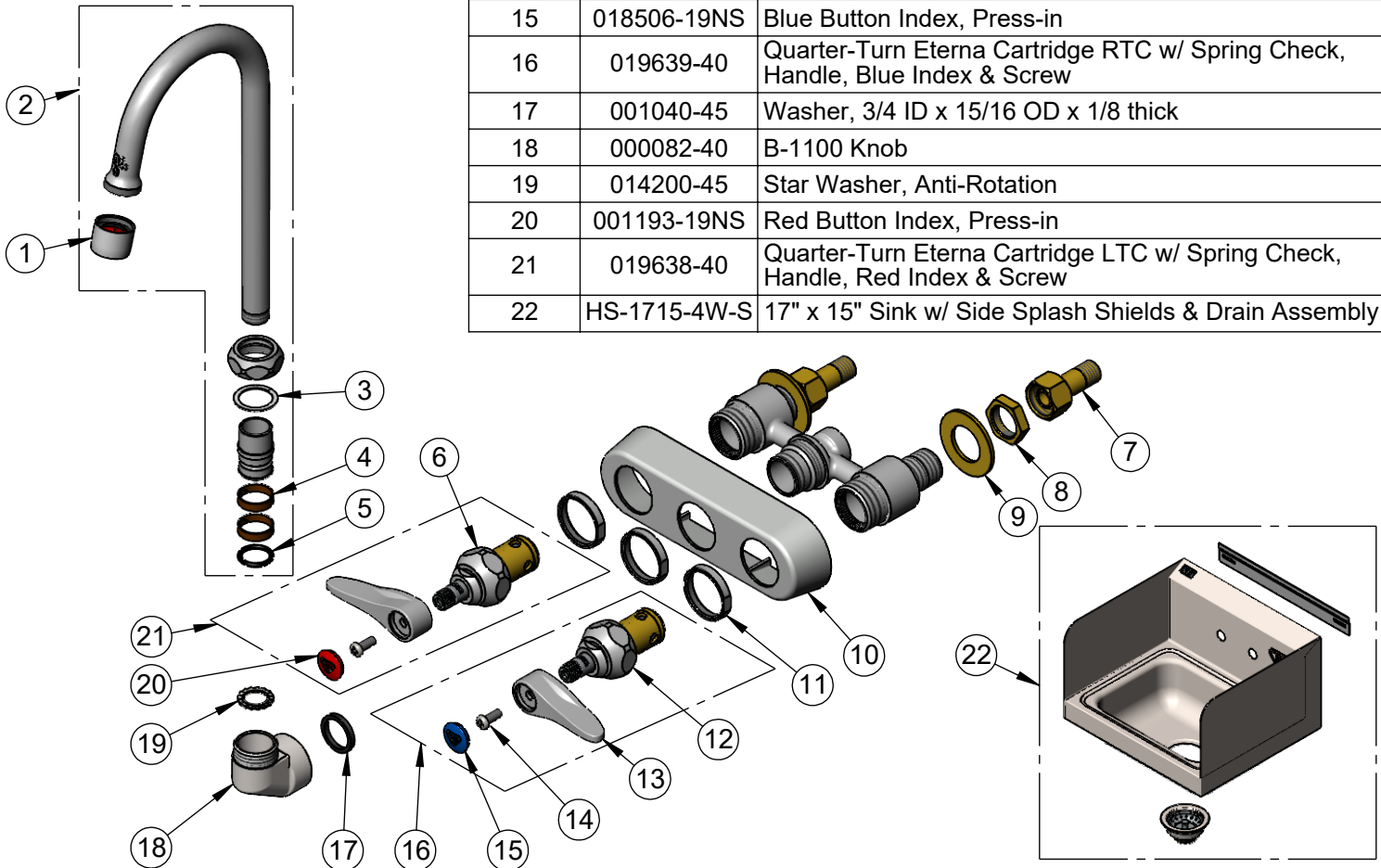
Model No.

**B-1146-02A-4W-S**

Item No.

Travelers Rest, SC: 800-476-4103 • Simi Valley, CA: 800-423-0150 • Fax: 864-834-3518 • www.tsbrass.com

ITEM NO.	SALES NO.	DESCRIPTION
1	B-0199-01	2.2 GPM Aerator, 55/64-27 UN Female
2	179X-A22	4 3/8" Swivel Gooseneck w/ 2.2 GPM Aerator
3	009538-45	Swivel Washer
4	011429-45	Swivel Sleeves (2)
5	001074-45	O-Ring
6	012442-40NS	Quarter-Turn Eterna Cartridge w/ Spring Check, LTC
7	150A	1/4" NPT Tailpiece
8	002954-45	Shank Lock Nut
9	000999-45	Brass Lock Washer
10	019374-40	4" Workboard Escutcheon
11	019376-40	Escutcheon Lock Nut
12	012443-40NS	Quarter-Turn Eterna Cartridge w/ Spring Check, RTC
13	001638-45NS	Lever Handle (New Style)
14	000925-45	Lab Handle Screw
15	018506-19NS	Blue Button Index, Press-in
16	019639-40	Quarter-Turn Eterna Cartridge RTC w/ Spring Check, Handle, Blue Index & Screw
17	001040-45	Washer, 3/4 ID x 15/16 OD x 1/8 thick
18	000082-40	B-1100 Knob
19	014200-45	Star Washer, Anti-Rotation
20	001193-19NS	Red Button Index, Press-in
21	019638-40	Quarter-Turn Eterna Cartridge LTC w/ Spring Check, Handle, Red Index & Screw
22	HS-1715-4W-S	17" x 15" Sink w/ Side Splash Shields & Drain Assembly



**Product Specifications:**

Hand Wash Sink w/ Manual Faucet, Stainless Steel Sink / Backsplash, Side Splash Shields, 3 1/2" Drain Assembly, 4" Wall Mount Workboard Faucet, Quarter-Turn Eterna Cartridges w/ Spring Checks, Lever Handles, 4 3/8" Swivel/Rigid Gooseneck w/ 2.2 GPM Aerator & 1/2" NPT Male Inlets

**Product Compliance:**

ASME A112.18.1 / CSA B125.1  
ASME A112.19.3 / CSA B45.4 (Sink & Drain)  
NSF 61 - Section 9  
NSF 372 (Low Lead Content)  
ANSI A117.1 (ADA)  
NSF / ANSI 2 (Sink & Drain)  
ASME A112.18.2 / CSA B125.2 (Drain)